

Index

A
Alarm buzzer 197

B
Battery 56, 183-188
Bearing replacement. 18-23
Breather assembly
 multicylinder 101-102
 single-cylinder 71-72

C
Camshaft
 multicylinder 127-128
 single-cylinder 93-95
Charging system 189-190
 troubleshooting 31
 tests. 31-32
Cooling system 52-56, 159-165
 draining 64-66
 drive belts 169-170
 hose replacement 168-169
 maintenance
 freshwater 177-181
 seawater. 181
 pump
 freshwater. 177
 seawater 170-177
 thermostat 165-168
 troubleshooting. 34-35, 36
Crankshaft
 multicylinder 123-126
 single-cylinder 91-93

block
 multicylinder 128-131
 single-cylinder 95-97
head
 multicylinder. 105-109
Cylinder
 head
 single-cylinder 73-76

D
Decompression mechanism
 multicylinder 102
 single-cylinder. 73
Diesel fundamentals
 engine
 single-cylinder 68-70
Drive belts 169-170
Drive disc
 multicylinder 123
 single-cylinder. 91

E
Electrical system
 alarm buzzer 197
 battery 183-188
 charging system 189-190
 protection 188-189
 senders. 195-196
 starting system. 190-195
 switches 195
 tachometer. 197-198
 warning lamps 197
 wiring diagrams 231-234



- Engine
- emergency stopping 44
 - exhaust smoke
 - troubleshooting 35
 - maintenance and lubrication 44-52
 - multicylinder 100-101
 - breather assembly 101-102
 - camshaft 127-128
 - crankshaft 123-126
 - cylinder
 - block 128-131
 - head 105-109
 - decompression mechanism 102
 - drive disc 123
 - exhaust manifold 103-105
 - flywheel 122-123
 - lubrication system 120-122
 - main bearings 126-127
 - piston/connecting rod assembly 113-118
 - push rods 113
 - replacement parts 100
 - rocker shaft assembly 109-110
 - serial number and code 99-100
 - timing gearcase 118-119
 - valve
 - cover 101
 - valves and seats 110-113
 - noises
 - troubleshooting 35-36
 - single-cylinder
 - breather assembly 71-72
 - camshaft 93-95
 - crankshaft 91-93
 - cylinder
 - block 95-97
 - head 73-76
 - decompression mechanism 73
 - diesel fundamentals 68-70
 - drive disc 91
 - flywheel 89-91
 - lubrication system 86-89
 - main bearings 93
 - piston/connecting rod assembly 79-85
 - push rods 79
 - removal precautions 70-71
 - replacement parts 70
 - rocker shaft assembly 76
 - serial number and code 70
 - timing gearcase 85-86
 - valve
 - cover 71
 - valves and seats 77-79
 - stopping the 44
 - troubleshooting 36
 - tune-up 57-60
- Exhaust manifold
- multicylinder 103-105
- F**
- Fasteners 4-8
- Fitting out 66-67
- Flywheel
- multicylinder 122-123
 - single-cylinder 89-91
- Freshwater
- cooling system, maintenance 177-181
 - pump 177
- Fuel
- injection
- fundamentals 138-142
 - injector 146-149
 - lines 151-152
 - pump 149-150
 - system bleeding 142-144
 - timing 144-146
 - transfer pump 150-151
 - requirements 42
 - system, troubleshooting 32-34
- G**
- General information
- bearing replacement 18-23
 - fasteners 4-8
 - lubricants 8-9
 - mechanic's tips 16-17
 - parts replacement 4
 - RTV gasket sealant 9
 - seals 23
 - threadlock 9
 - tools
 - basic hand 9-13
 - precision measuring 13-16
 - torque specifications 4
- Governor systems 152-157
- H**
- Hose replacement 168-169
- L**
- Lay-up 63-64
- cooling system draining 64-66

Lubricants	8-9
Lubrication system	
engine maintenance and	44-52
multicylinder	120-122
single-cylinder	86-89
transmission	60-61
troubleshooting	36-40

M

Main bearings	
multicylinder	126-127
single-cylinder	93
Maintenance	
cooling system	52-56
engine and lubrication	44-52
fuel requirements	42
Mechanic's tips	16-17

O

Operation	
engine	
emergency stopping	44
stopping the	44
post-operational checks	44
preoperational checks	42-43
starting checklist	43-44

P

Parts replacement	4
Piston/connecting rod assembly	
multicylinder	113-118
single-cylinder	79-85
Post-operational checks	44
Preoperational checks	42-43
Push rods	
multicylinder	113
single-cylinder	79

R

Removal precautions	
engine	
single-cylinder	70-71
Replacement parts	
multicylinder	100
single-cylinder	70
Rocker shaft assembly	
multicylinder	109-110
single-cylinder	76
RTV gasket sealant	9

S

Seals	23
Seawater	
cooling system maintenance	181
pump	170-177
Senders	195-196
Serial number and code	
engine	
multicylinder	99-100
single-cylinder	70
Starting	
checklist	43-44
system	190-195
troubleshooting	27-31
Switches	195

T

Tachometer	197-198
Thermostat	165-168
Threadlock	9
Timing gearcase	
multicylinder	118-119
single-cylinder	85-86
Tools	
basic hand	9-13
precision measuring	13-16
Torque specifications	4
Transmission	60-61
KBW series	
bearing adjustment	224-225
drive disc	225
operation	216
overhaul	217-224
removal/installation	217
KM series	
bearing adjustment	211-213
drive disc	213
operation	199-201
overhaul	202-208
reassembly	208-211
removal/installation	201
Troubleshooting	
charging system	31
tests	31-32
cooling system	36
engine	36
exhaust smoke	35
noises	35-36
fuel system	32-34
lubrication system	36-40
starting system	27-31

Tune-up
battery 56
engine tune-up 57-60

V

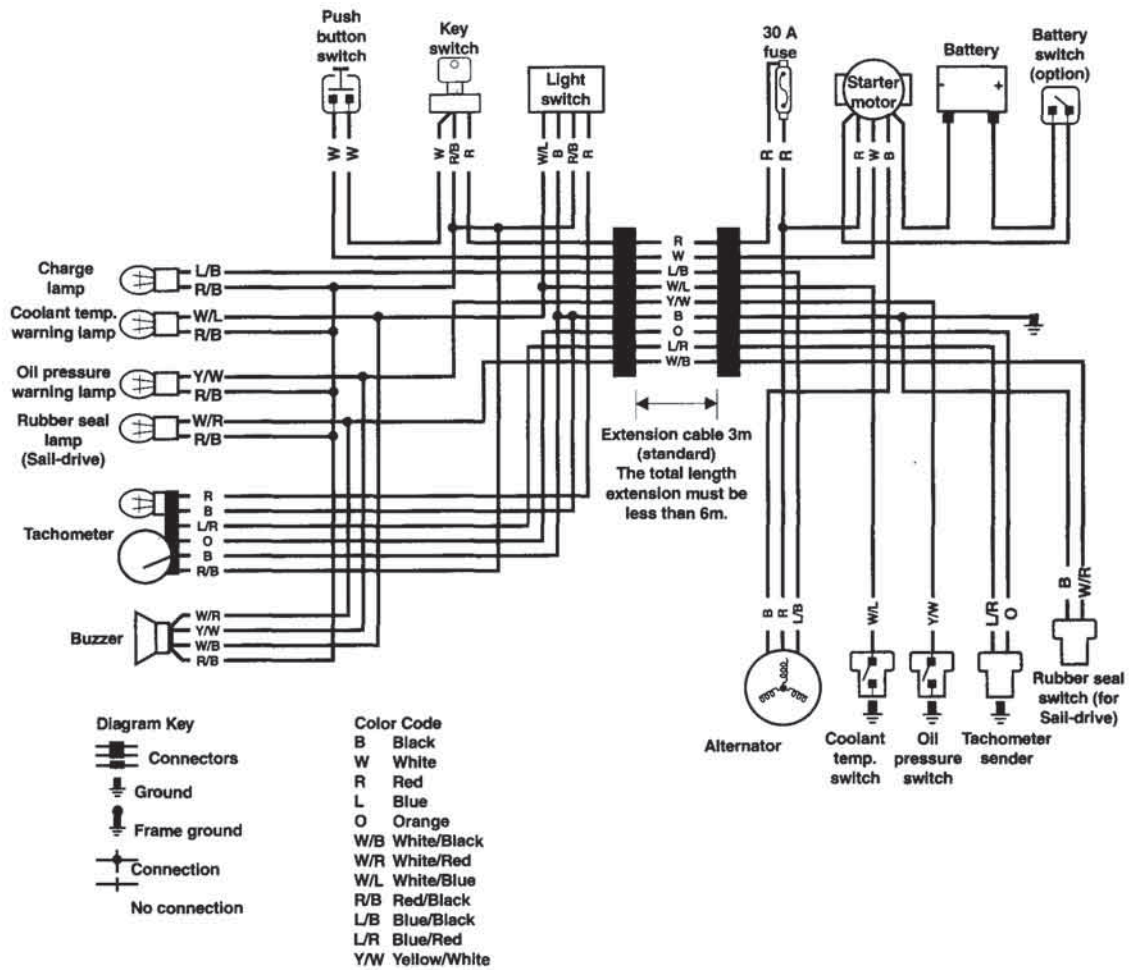
Valve
and seats
multicylinder 110-113
single-cylinder 77-79

cover
multicylinder 101
single-cylinder 71

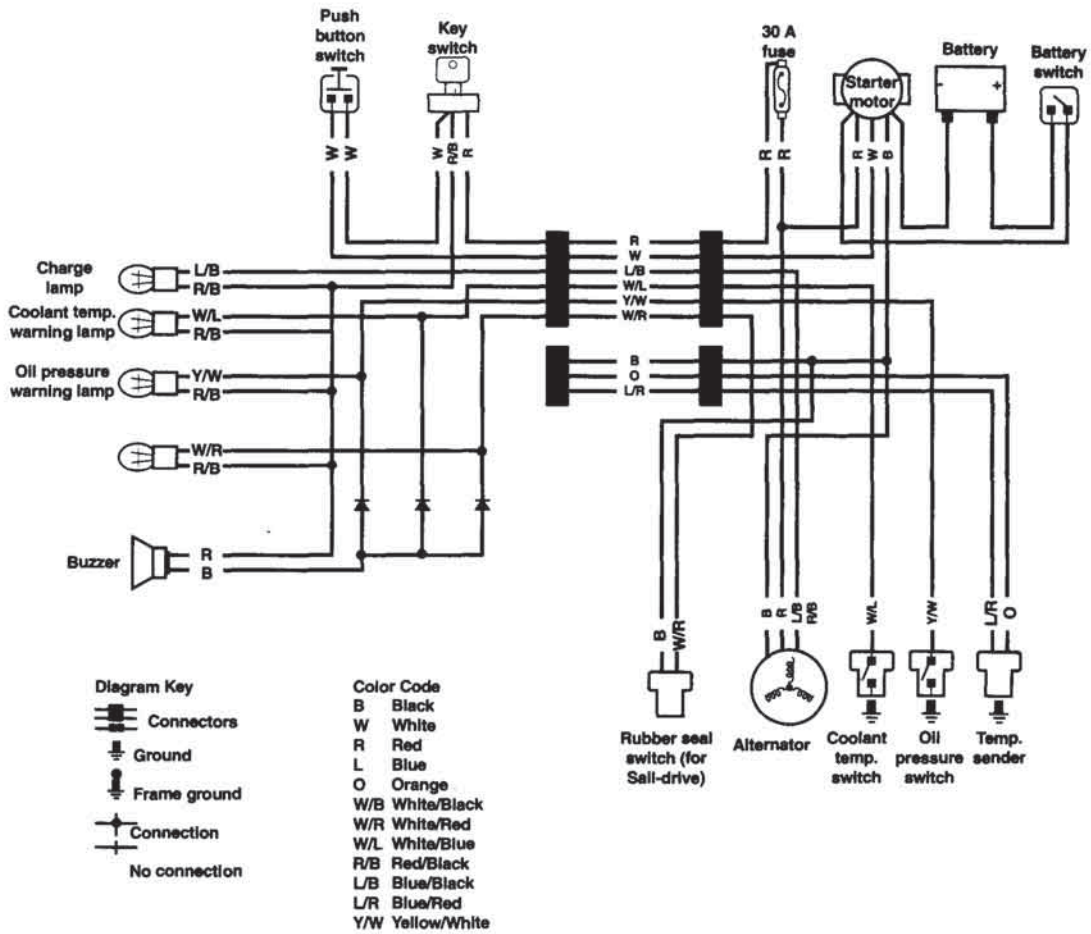
W

Warning lamps. 197
Wiring diagrams 231-234

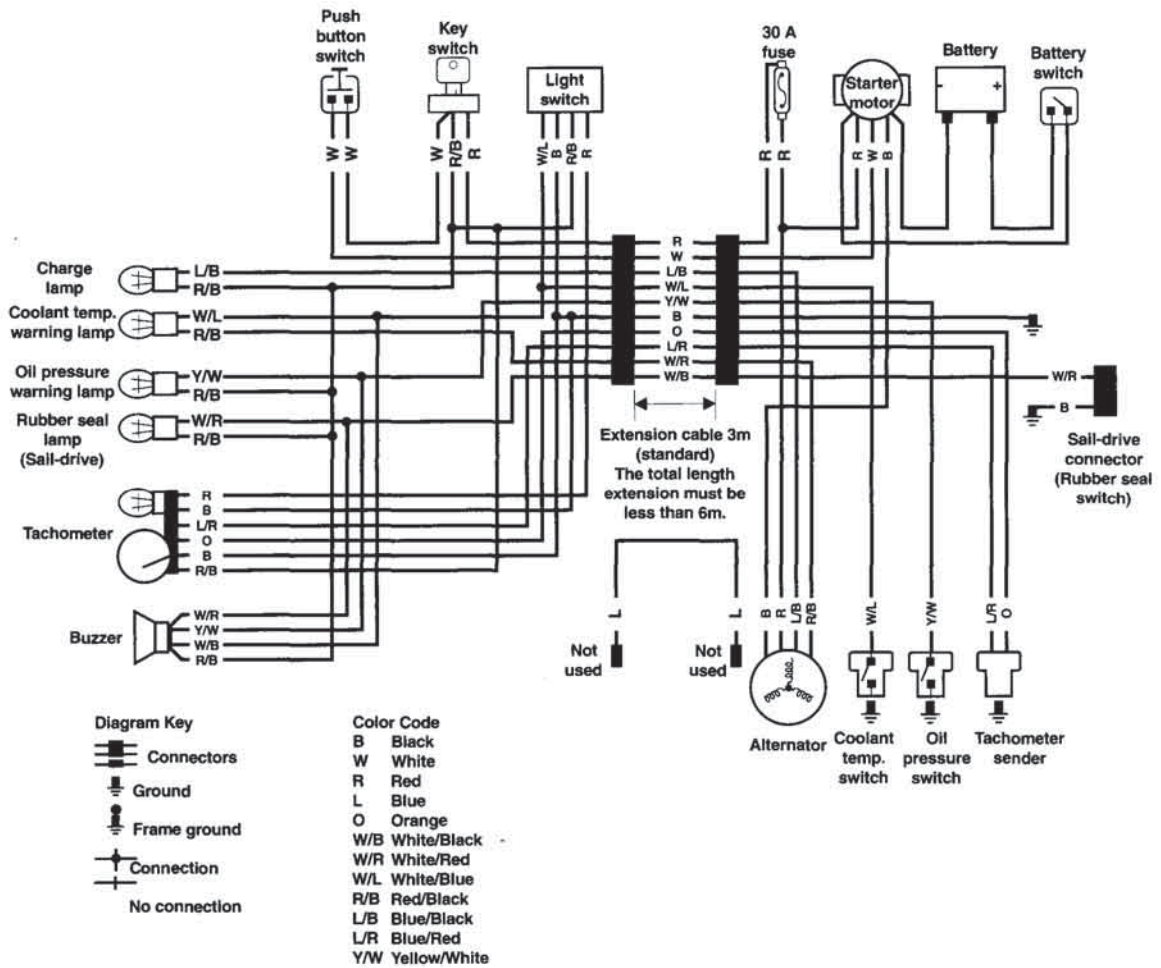
EARLY MODELS WITH LARGE INSTRUMENT PANEL



EARLY MODELS WITH SMALL INSTRUMENT PANEL (NO TACHOMETER)



LATE MODELS WITH LARGE INSTRUMENT PANEL



LATE MODELS WITH SMALL INSTRUMENT PANEL (NO TACHOMETER)

