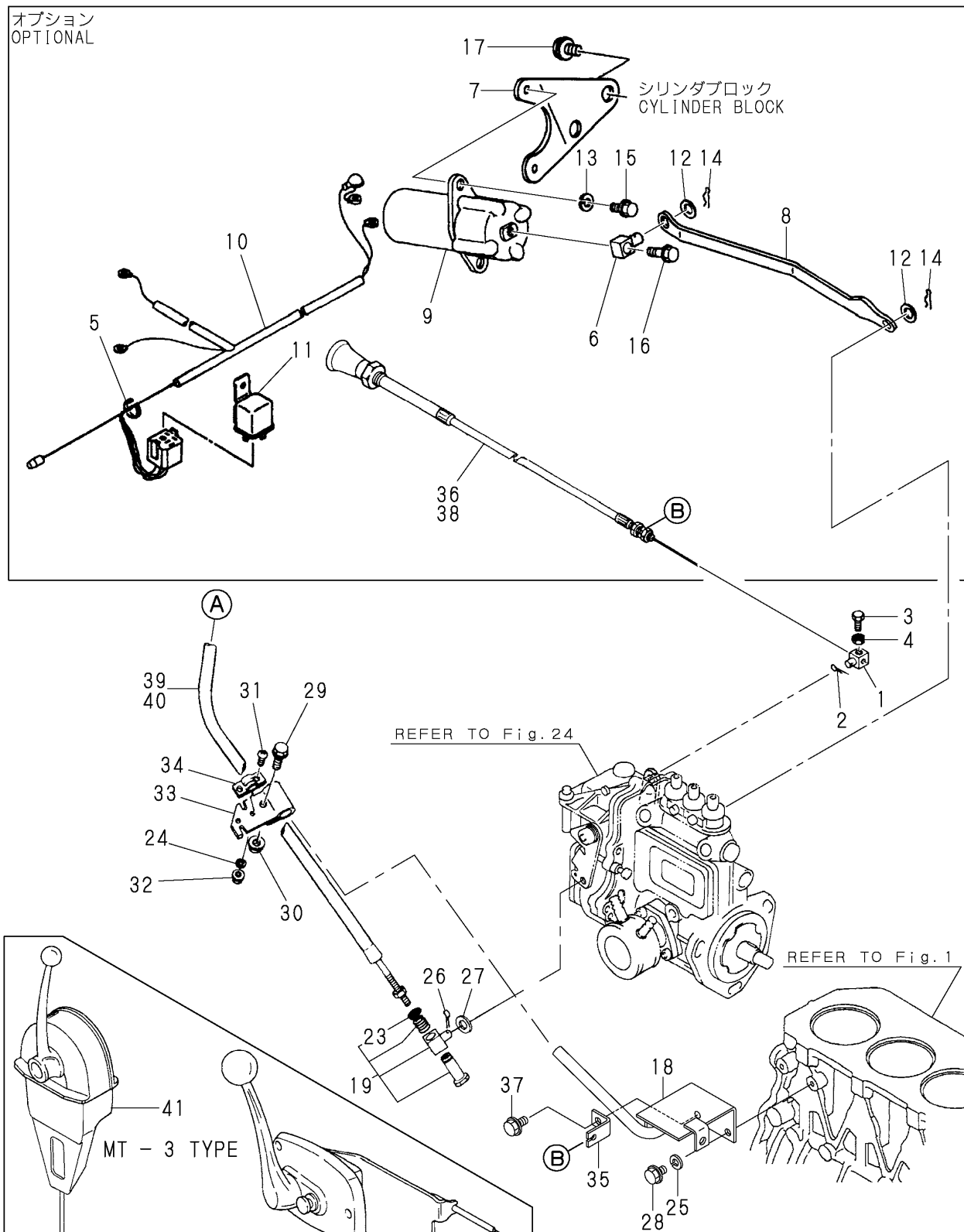
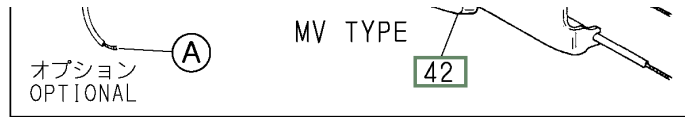


Call: +44 (0) 1206 302133

Y00R4661

Fig. 31 機関停止装置 ENGINE STOP DEVICE





Ref	Description	Part No.	BOM Qty	Unit Price
①	RETAINER	129590-67310	1	£19.65
②	PIN, COTTER 2.5X15	22414-250150	1	£1.21
③	BOLT, M5X 14 PLATED	26116-050142	1	£1.21
④	NUT, LOCK M5	26756-050002	1	£1.21
⑤	BAND, 140	121750-59890	1	£3.36
⑥	PIN	171078-66551	1	£13.40
⑦	BRACKET, SOLENOID	129171-67300	1	£164.14
⑦-1	BRACKET, SOLENOID	129270-67300	1	£44.72
⑧	LINK	129171-67310	1	£91.18
⑧-1	LINK	129270-67310	1	£82.06
⑨	SOLENOID, STOP 12V	129470-67320	1	£405.78
⑩	HARNESS, WIRE	129470-77971	1	£50.46
⑪	RELAY	124617-91850	1	£82.06
⑪-	RELAY, DC12V	119773-91850	1	

1			£52.39	
12	WASHER, 8	22117-080000		2
			£1.21	
13	WASHER, SPRING 6	22217-060000		2
			£1.83	
14	SNAP PIN 8	22360-080000		2
			Unavailable - choose alternative:	
15	BOLT, M6X 10 PLATED	26106-060102		2
			£1.21	
16	BOLT, M6X 20 PLATED	26106-060202		1
			£1.21	
17	BOLT, M8X 12 PLATED	26106-080122		2
			£1.21	
18	BRACKET, GOVERNOR	129270-67101		1
			£51.67	
19	RETAINER ASSY	129470-67200		1
			£24.00	
23	RING, 10	22242-000100		1
			£1.21	
24	WASHER, SPRING 5	22217-050000		2
			£2.64	
25	WASHER, SPRING 8	22217-080000		2
			£2.17	
26	PIN, COTTER 2.5X15	22414-250150		1
			£1.21	
27	GASKET, 8X1.0	23414-080000		1
			£1.66	
28	BOLT, M12X 35 PLATED	26116-120352		2
			£2.51	
29	BOLT, M8X 25 PLATED	26106-080252		1
			£1.53	
30	NUT, M8	26306-080002		1

			£1.11	
31	SCREW, M5X12	26557-050122		2
			£1.21	
32	NUT, M5	26716-050002		2
			£1.53	
33	BRACKET	41701-001720		1
			£9.75	
34	CLAMP	41710-000410		1
			£10.11	
35	BRACKET, CABLE	129270-67140		1
			£72.96	
36	CABLE, STOP L=4000	129470-67550		1
			£42.32	
37	BOLT, M8X 16 PLATED	26106-080162		1
			£1.21	
38	CABLE, STOP L=7000	129470-67560		1
			£77.37	
39	CABLE L=4000	41710-000380		2
			Unavailable - choose alternative:	
40	CABLE, L=7000	129470-86500		2
			£401.19	
41	MT-3 REMO-CON	41730-000681		1
			£1127.54	
42	CONTROLLER	128170-86500		1
			POA	