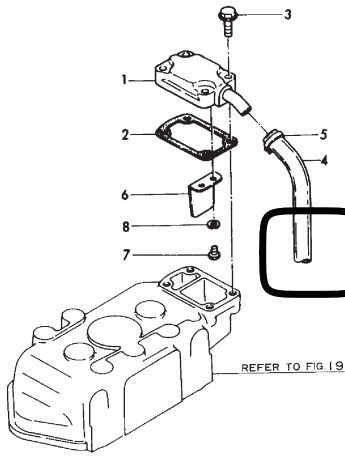


Fig.9. BREATHER

Fig.9 ブリーザ
BREATHER



OCF10-G50502 9. BREATHER

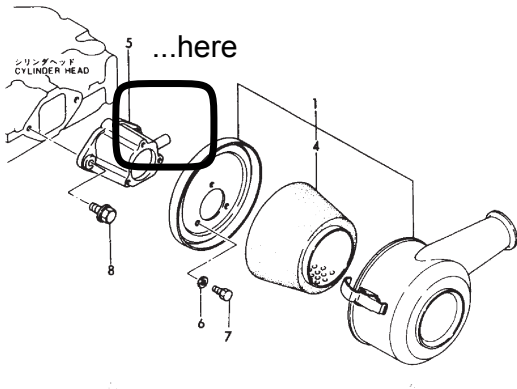
(A)=2GM20 (D)=2GM20C
(B)=2GM20VE (E)=2GM20F
(C)=2GM20B (F)=2GM20FVE

REF.	LEV.	PARTS NO.	DESCRIPTION	QTY						I	R
				(A)	(B)	(C)	(D)	(E)	(F)		
1	1	121000-03020	COVER, BREATHER	1	1	1	1	1	1		
2	1	121000-03070	GASKET	1	1	1	1	1	1		
3	1	26106-060252	BOLT M 6X 25 PLATED	4	4	4	4	4	4		
4	1	124000-03200	PIPE, BREATHER	1	1	1	1	1	1		
5	1	23080-013000	CLAMP 13,HOSE	2	2	2	2	2	2		
6	1	121000-03080	PLATE, SHELTER	1	1	1	1	1	1		
7	1	26557-050102	SCREW M 5X 10	2	2	2	2	2	2		
8	1	22217-050000	SPRING WASHER 5	2	2	2	2	2	2		

This hose/tube goes to....next page...

Fig.20. AIR INTAKE SILENCER

Fig.20 吸気サイレンサ
AIR INTAKE SILENCER



OCF10-G50502 20. AIR INTAKE SILENCER

(A)=2GM20 (D)=2GM20C
(B)=2GM20VE (E)=2GM20F
(C)=2GM20B (F)=2GM20FVE

REF.	LEV.	PARTS NO.	DESCRIPTION	QTY						I	R
				(A)	(B)	(C)	(D)	(E)	(F)		
1	1	128270-12500	SILENCER, AIR INTAKE	1	1	1	1	1	1		
4	2	128270-12540	ELEMENT, SILENCER	1	1	1	1	1	1		
5	1	128270-12700	PIPE, AIR INTAKE	1	1	1	1	1	1		
6	1	22117-060000	WASHER 6	3	3	3	3	3	3		
7	1	26013-060142	BOLT M 6X 14	3	3	3	3	3	3		
8	1	26106-080182	BOLT M 8X 18 PLATED	2	2	2	2	2	2		