

6.2 Steering Components

⚠ DANGER ⚠

Keep clear of moving steering parts at all times. Protect moving parts from access during normal use!

6.2.1 Steering System

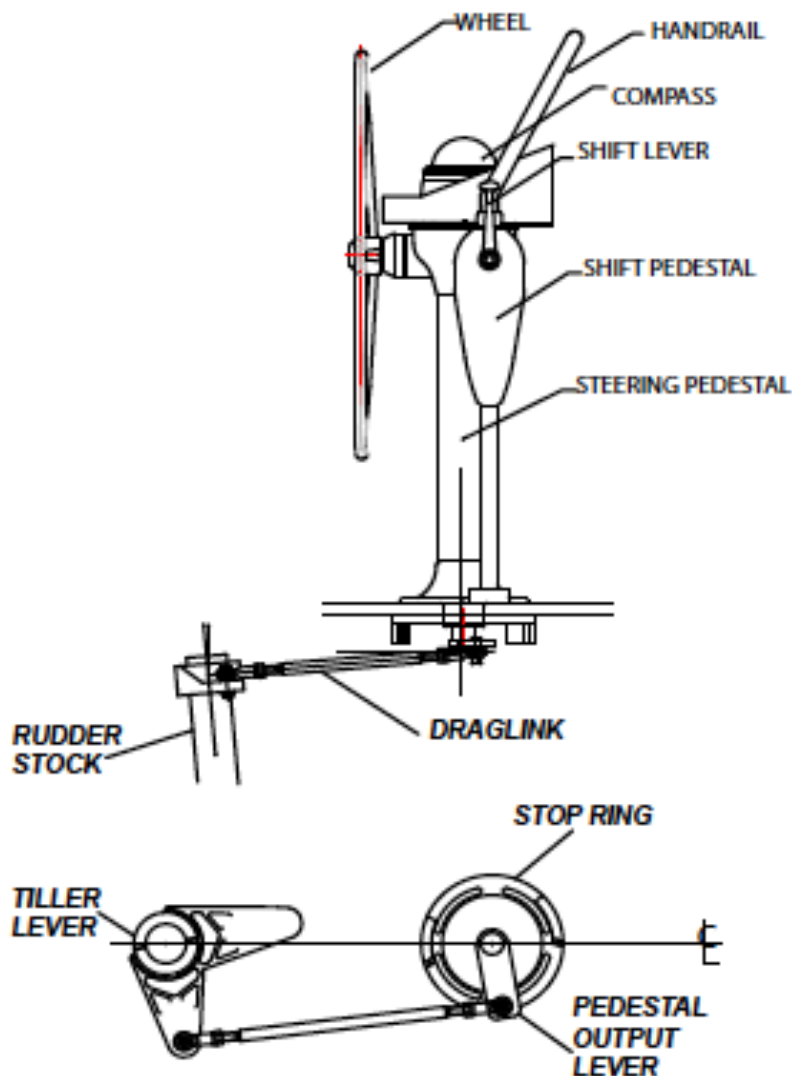


Figure 6.4

The steering system on your boat uses a rack and pinion setup that connect the wheel to the steering gear via a direct drag link. Fig. 6.4 gives you a view at some of the basic components of this system.

To keep it in the top operating condition please read your manual supplied in your owner's packet. This manual contains all the system requirements and maintenance requirements to keep your steering system working for years.