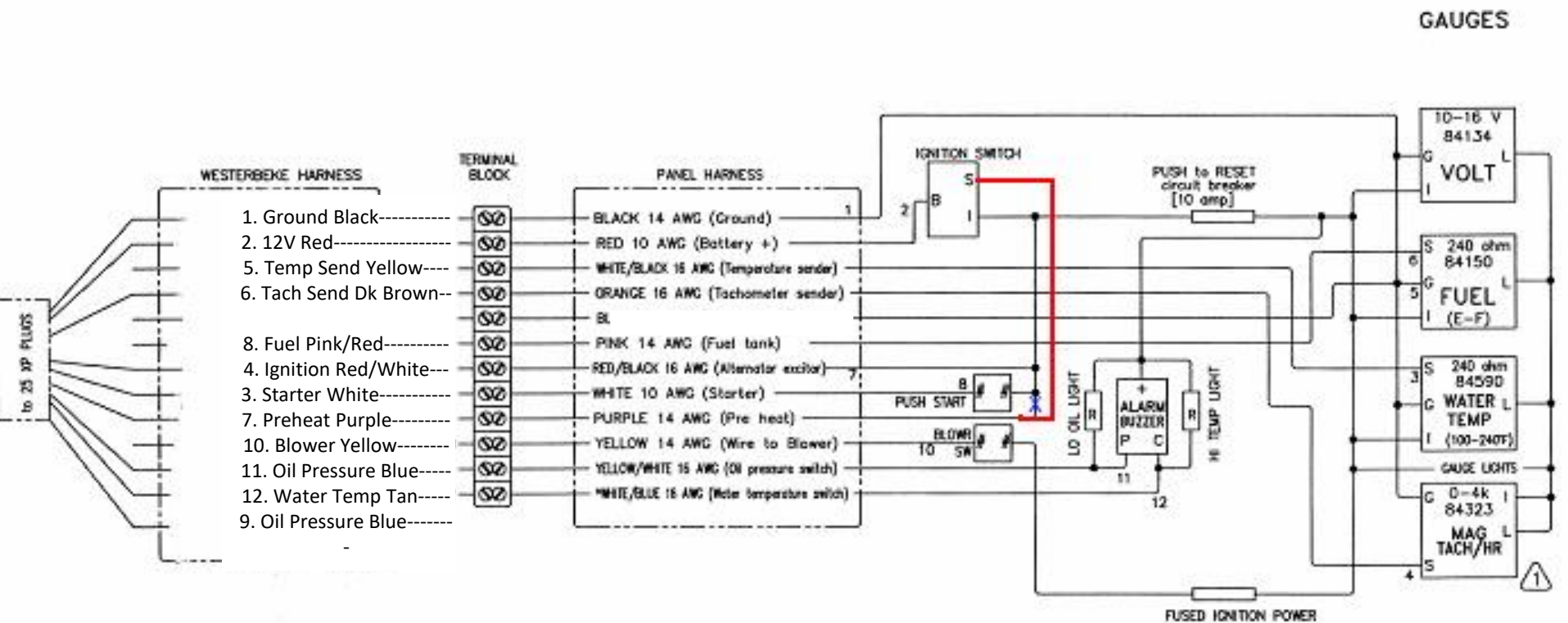


NOTES: (UNLESS OTHERWISE SPECIFIED)
 ⚠ TACHOMETER CALIBRATION: FOR 2GM/3GM (97 TEETH)
 SET TESTER SWITCH TO 3200, ADJUST THE "TACH CAL
 SCREW" TO INDICATE 2000 RPM.

Revised Harness 9/8/2018



PROPRIETARY INFORMATION
 THE DESIGN, INFORMATION, AND DATA CONTAINED HEREIN ARE PROPRIETARY AND ARE SUBMITTED IN CONFIDENCE, AND SHALL NOT BE DISCLOSED, USED, OR REPRODUCED, IN WHOLE OR IN PART, FOR ANY PURPOSES WHATSOEVER, WITHOUT THE PRIOR WRITTEN PERMISSION OF CATALINA YACHTS, 21200 VICTORY BLVD. WOODLAND HILLS, CALIFORNIA 91367. THIS LEGEND SHALL BE MARKED ON ANY REPRODUCTIONS HEREBY IN WHOLE OR IN PART. RECEIPT OF THIS DOCUMENT SHALL BE DEEMED TO BE AN ACCEPTANCE OF THE CONDITIONS SPECIFIED HEREIN.

Catalina Yachts

310 25XP HARNESS TO SEAWARD HEL