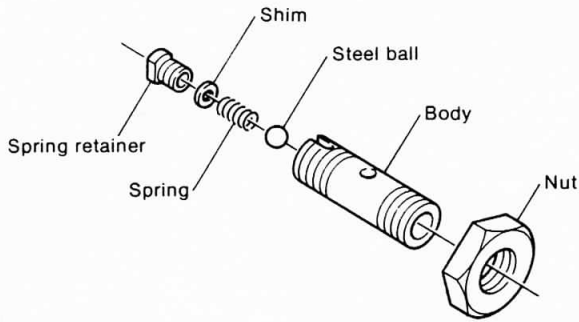


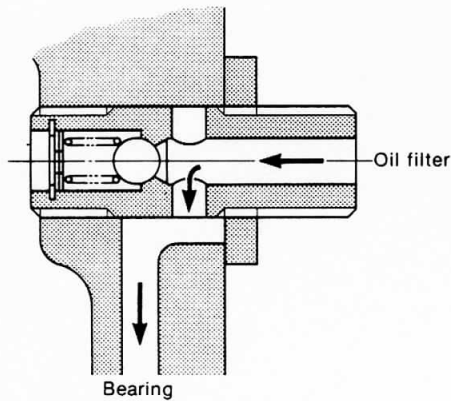
4-1.2 Models 2GM, 3GM(D) and 3HM



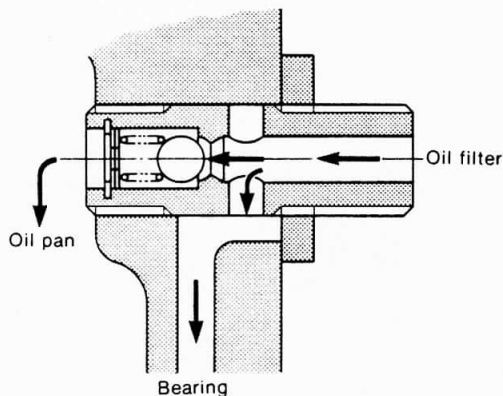
4-1.3 Specifications

	1GM	2GM, 3GM(D), 3HM
Standard pressure	3.5 ±0.5 kg/cm ² (42.67 ~ 56.89 lb/in. ²)	3.5 ±0.5 kg/cm ² (42.67 ~ 56.89 lb/in. ²)

As the lubricating oil pressure regulator valve has been calked during manufacture so that it cannot be dismantled, replace it as a unit if any replacement becomes necessary.



When the pressure is lower that the regulated pessure



When the pressure is higher that the regulated pessure