

View the quality and custom capabilities of our stainless steel portlights



Custom Capabilities



Opening Formed Stainless Steel Portlights

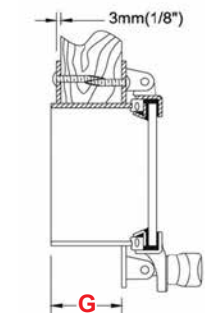
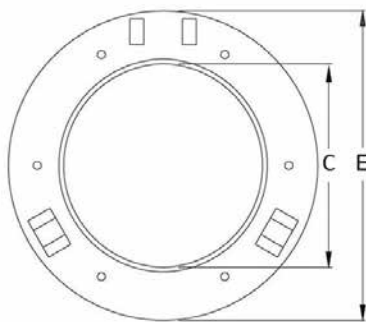
Features

- 316 Stainless Steel Formed Frame For High Grade Strength And Corrosion Resistance
- Tempered Glass
- Angled (For Rectangular And Oval Only) Or Straight Spigot
- Custom Sizes Available
- Standard Spigot Lengths: 1-1/4", 1-1/2", 2", 2-1/2", 3", 3-1/2"
- Custom Spigot Sizes Available
- Screen Is Included

Standard Specs

- 316 Stainless Steel Formed
- High Polish Finish
- Tempered, Clear Glass

Round Opening Portlights | LSR



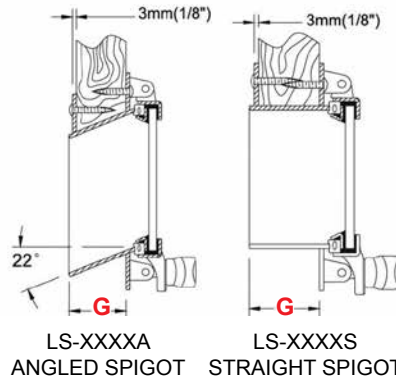
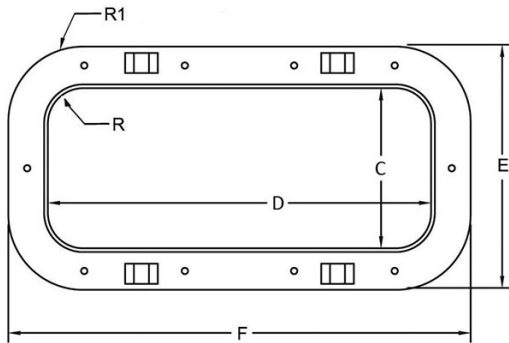
LSR-XXXXS
STRAIGHT SPIGOT

PART NO.	C	E	GLASS THICKNESS
LSR-07-GS	7-1/4"	9-5/8"	5/16"
LSR-08-GS	8-1/4"	10-5/8"	5/16"
LSR-10-GS	10-3/8"	12-7/8"	3/8"
LSR-12-GS	12-3/8"	14-7/8"	3/8"
LSR-14-GS	14-3/8"	16-7/8"	3/8"

Please specify "G" dimension.



Rectangular Opening Portlights | LS

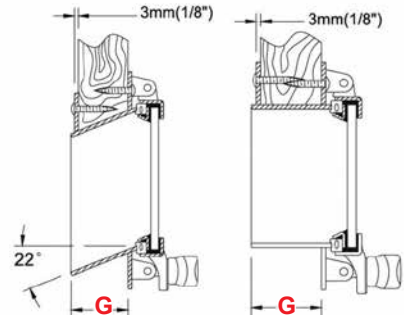
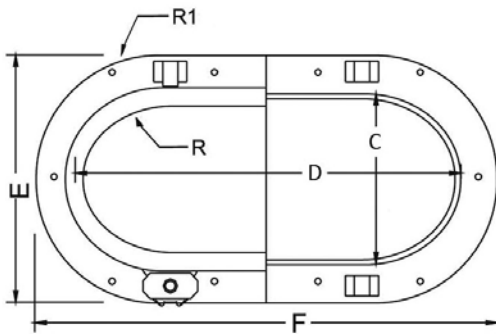


Please specify "G" dimension.

PART NO. ANGLED	PART NO. STRAIGHT	CUT-OUT SIZE		OVERALL SIZE				GLASS THK
		C	D	E	F	R	R1	
LS-0512-GA	LS-0512-GS	5-1/4"	12-1/8"	7-5/8"	14-1/2"	1-1/4"	2-3/8"	1/4"
LS-0714-GA	LS-0714-GS	7-1/4"	14-1/4"	9-5/8"	16-5/8"	1-1/4"	2-3/8"	1/4"
LS-0716-GA	LS-0716-GS	7-1/4"	16-1/4"	9-5/8"	18-5/8"	1-1/4"	2-3/8"	1/4"
LS-0718-GA	LS-0718-GS	7-1/4"	18-1/4"	9-5/8"	20-5/8"	1-1/4"	2-3/8"	1/4"
LS-0816-GA	LS-0816-GS	8-1/4"	16-1/4"	10-5/8"	18-5/8"	1-1/4"	2-3/8"	1/4"
LS-0818-GA	LS-0818-GS	8-1/4"	18-1/4"	10-5/8"	20-5/8"	1-1/4"	2-3/8"	1/4"
LS-1020-GA	LS-1020-GS	10-3/8"	20-3/8"	12-7/8"	22-7/8"	1-1/4"	2-1/2"	3/8"
LS-1024-GA	LS-1024-GS	10-3/8"	24-3/8"	12-7/8"	26-7/8"	1-1/4"	2-1/2"	3/8"
LS-1224-GA	LS-1224-GS	12-3/8"	24-3/8"	14-7/8"	26-7/8"	1-1/4"	2-1/2"	3/8"
LS-1228-GA	LS-1228-GS	12-3/8"	28-3/8"	14-7/8"	30-7/8"	1-1/4"	2-1/2"	3/8"



Oval Opening Portlights | LSO



LSO-XXXXA ANGLED SPIGOT LSO-XXXXS STRAIGHT SPIGOT

Please specify "G" dimension.

PART NO. ANGLED	PART NO. STRAIGHT	CUT-OUT SIZE C	CUT-OUT SIZE D	OVERALL SIZE E	OVERALL SIZE F	R	R1	GLASS THK
LSO-0512-GA	LSO-0512-GS	5-1/4"	12-1/8"	7-5/8"	14-1/2"	2-5/8"	3-7/8"	5/16"
LSO-0714-GA	LSO-0714-GS	7-1/4"	14-1/4"	9-5/8"	16-5/8"	3-5/8"	4-7/8"	5/16"
LSO-0716-GA	LSO-0716-GS	7-1/4"	16-1/4"	9-5/8"	18-5/8"	3-5/8"	4-7/8"	5/16"
LSO-0718-GA	LSO-0718-GS	7-1/4"	18-1/4"	9-5/8"	20-5/8"	3-5/8"	4-7/8"	5/16"
LSO-0816-GA	LSO-0816-GS	8-1/4"	16-1/4"	10-5/8"	18-5/8"	4-1/8"	5-3/8"	5/16"
LSO-0818-GA	LSO-0818-GS	8-1/4"	18-1/4"	10-5/8"	20-5/8"	4-1/8"	5-3/8"	5/16"
LSO-1020-GA	LSO-1020-GS	10-3/8"	20-3/8"	12-7/8"	22-7/8"	5-1/8"	6-3/8"	3/8"
LSO-1024-GA	LSO-1024-GS	10-3/8"	24-3/8"	12-7/8"	26-7/8"	5-1/8"	6-3/8"	3/8"
LSO-1224-GA	LSO-1224-GS	12-3/8"	24-3/8"	14-7/8"	26-7/8"	6-1/8"	7-3/8"	3/8"
LSO-1228-GA	LSO-1228-GS	12-3/8"	28-3/8"	14-7/8"	30-7/8"	6-1/8"	7-3/8"	3/8"



Fixed Formed Stainless Portlights

- 316 Stainless Steel Formed Frame For High Grade Strength And Corrosion Resistance
- Model AFLS Is Flush
- Model BFLS Is Raised
- Tempered Glass
- Straight Spigot Only
- Custom Sizes Available
- Standard Spigot Lengths: 1-1/4", 1-1/2", 2", 2-1/2", 3", 3-1/2"
- Custom Spigot Sizes Available

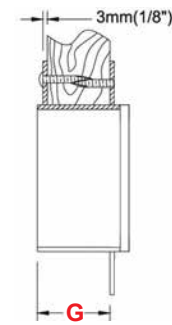
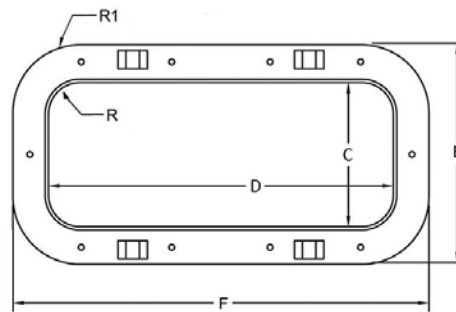
Rectangular Fixed Formed Portlights



AFLS



BFLS

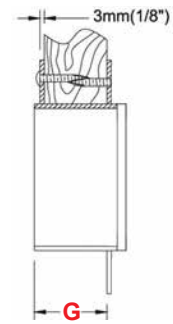


XFLS-XXXXXS
STRAIGHT SPIGOT

Please specify "G" dimension.

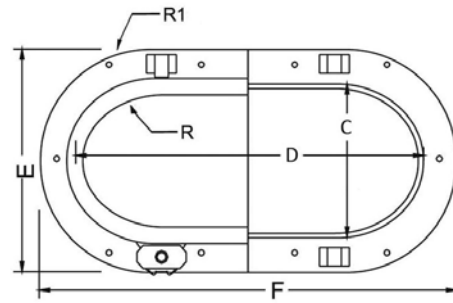
PART NO. STRAIGHT	PART NO. STRAIGHT	CUT-OUT SIZE		OVERALL SIZE			R	R1	GLASS THK
		C	D	E	F	R			
AFLS-0512-GS	BFLS-0512-GS	5-1/4"	12-1/8"	7-5/8"	14-1/2"	1-1/4"	2-3/8"	1/4"	
AFLS-0714-GS	BFLS-0714-GS	7-1/4"	14-1/4"	9-5/8"	16-5/8"	1-1/4"	2-3/8"	1/4"	
AFLS-0716-GS	BFLS-0716-GS	7-1/4"	16-1/4"	9-5/8"	18-5/8"	1-1/4"	2-3/8"	1/4"	
AFLS-0718-GS	BFLS-0718-GS	7-1/4"	18-1/4"	9-5/8"	20-5/8"	1-1/4"	2-3/8"	1/4"	
AFLS-0816-GS	BFLS-0816-GS	8-1/4"	16-1/4"	10-5/8"	18-5/8"	1-1/4"	2-3/8"	1/4"	
AFLS-0818-GS	BFLS-0818-GS	8-1/4"	18-1/4"	10-5/8"	20-5/8"	1-1/4"	2-3/8"	1/4"	
AFLS-1020-GS	BFLS-1020-GS	10-3/8"	20-3/8"	12-7/8"	22-7/8"	1-1/4"	2-1/2"	3/8"	
AFLS-1024-GS	BFLS-1024-GS	10-3/8"	24-3/8"	12-7/8"	26-7/8"	1-1/4"	2-1/2"	3/8"	
AFLS-1224-GS	BFLS-1224-GS	12-3/8"	24-3/8"	14-7/8"	26-7/8"	1-1/4"	2-1/2"	3/8"	
AFLS-1228-GS	BFLS-1228-GS	12-3/8"	28-3/8"	14-7/8"	30-7/8"	1-1/4"	2-1/2"	3/8"	

Oval Fixed Formed Portlights



XFLSO-XXXXS
STRAIGHT SPIGOT

Please specify "G" dimension.



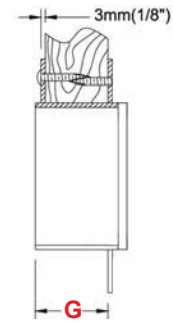
AFLSO



BFLSO

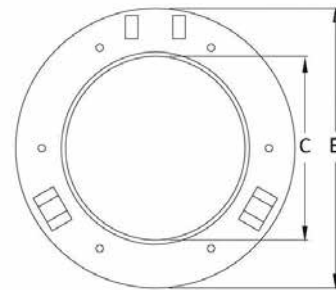
PART NO. STRAIGHT	PART NO. STRAIGHT	CUT-OUT SIZE		OVERALL SIZE			GLASS		THK
		C	D	E	F	R	R1		
AFLSO-0512-GS	BFLSO-0512-GS	5-1/4"	12-1/8"	7-5/8"	14-1/2"	2-5/8"	3-7/8"	1/4"	
AFLSO-0714-GS	BFLSO-0714-GS	7-1/4"	14-1/4"	9-5/8"	16-5/8"	3-5/8"	4-7/8"	1/4"	
AFLSO-0716-GS	BFLSO-0716-GS	7-1/4"	16-1/4"	9-5/8"	18-5/8"	3-5/8"	4-7/8"	1/4"	
AFLSO-0718-GS	BFLSO-0718-GS	7-1/4"	18-1/4"	9-5/8"	20-5/8"	3-5/8"	4-7/8"	1/4"	
AFLSO-0816-GS	BFLSO-0816-GS	8-1/4"	16-1/4"	10-5/8"	18-5/8"	4-1/8"	5-3/8"	1/4"	
AFLSO-0818-GS	BFLSO-0818-GS	8-1/4"	18-1/4"	10-5/8"	20-5/8"	4-1/8"	5-3/8"	1/4"	
AFLSO-1020-GS	BFLSO-1020-GS	10-3/8"	20-3/8"	12-7/8"	22-7/8"	5-1/8"	6-3/8"	3/8"	
AFLSO-1024-GS	BFLSO-1024-GS	10-3/8"	24-3/8"	12-7/8"	26-7/8"	5-1/8"	6-3/8"	3/8"	
AFLSO-1224-GS	BFLSO-1224-GS	12-3/8"	24-3/8"	14-7/8"	26-7/8"	6-1/8"	7-3/8"	3/8"	
AFLSO-1228-GS	BFLSO-1228-GS	12-3/8"	28-3/8"	14-7/8"	30-7/8"	6-1/8"	7-3/8"	3/8"	

Round Fixed Formed Portlights



XFLSR-XXXXS
STRAIGHT SPIGOT

Please specify "G" dimension.



AFLSR



BFLSR

PART NO. STRAIGHT	PART NO. STRAIGHT	CUT-OUT SIZE	OVERALL SIZE	GLASS THK
		C	E	
AFLSR-05-GS	BFLSR-05-GS	5-1/4"	7-5/8"	1/4"
AFLSR-06-GS	BFLSR-06-GS	6-1/4"	8-5/8"	1/4"
AFLSR-07-GS	BFLSR-07-GS	7-1/4"	9-5/8"	1/4"
AFLSR-08-GS	BFLSR-08-GS	8-1/4"	10-5/8"	1/4"
AFLSR-10-GS	BFLSR-10-GS	10-3/8"	12-7/8"	3/8"
AFLSR-12-GS	BFLSR-12-GS	12-3/8"	14-7/8"	3/8"
AFLSR-14-GS	BFLSR-14-GS	14-3/8"	16-7/8"	3/8"

Trim Rings

Traditional Trim Ring

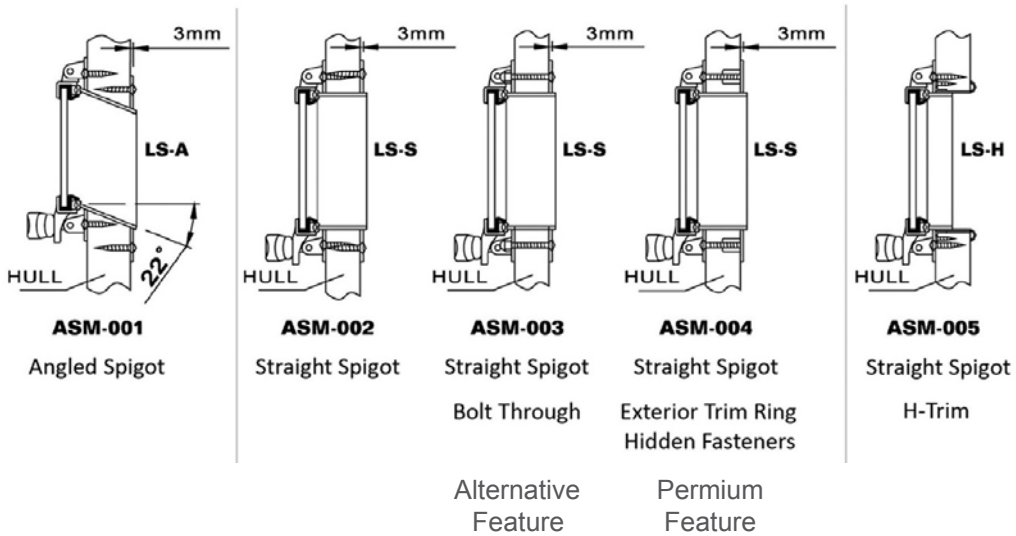


H Trim Ring



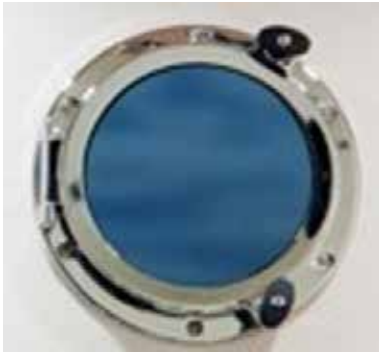
Additional Options and Features

Spigot Style and Installation



Methods of Keeping your Portlight Open

Traditional



Installed Horizontally



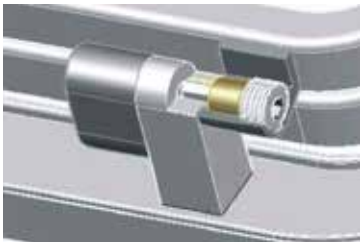
T-Bar Portlight Chain 8130S

Stay Arms



- Great Alternative For Keeping Portlight Open
- Stay Arms Use Friction Technology
- Open At Different Angles/Positions.

Friction Hinges



Features

- 316 Marine Grade Stainless Steel
- Engineered With An Internal Adjustable Set-Screw
- Adjust The Set-Screw For More Or Less Resistance
- Open Portlight Then Position At Any Angle
- Full 180 Degree Positioning
- Premium Hinge Option
- Hinge Has Been Crafted With A Smooth Outer Appearance
- No More Hatch Arms, Port Chains Or Port Hooks

Optional Stainless Knob Options



Alternative Frame Options

Standard deck hatches are made from 316 stainless steel and high polished. Optional off-white powder coating or titanium gold plating is available.

Glass Tint



Frosted Glass

All glass tints can also be frosted for extra privacy.



Storm Covers

- Storm Covers for additional safety
- Easily installed and removable.



Portlight Accessories

Screens



Portlight Knob and Pin



P001



P002

Gasket



7122



7122-B



7122-C