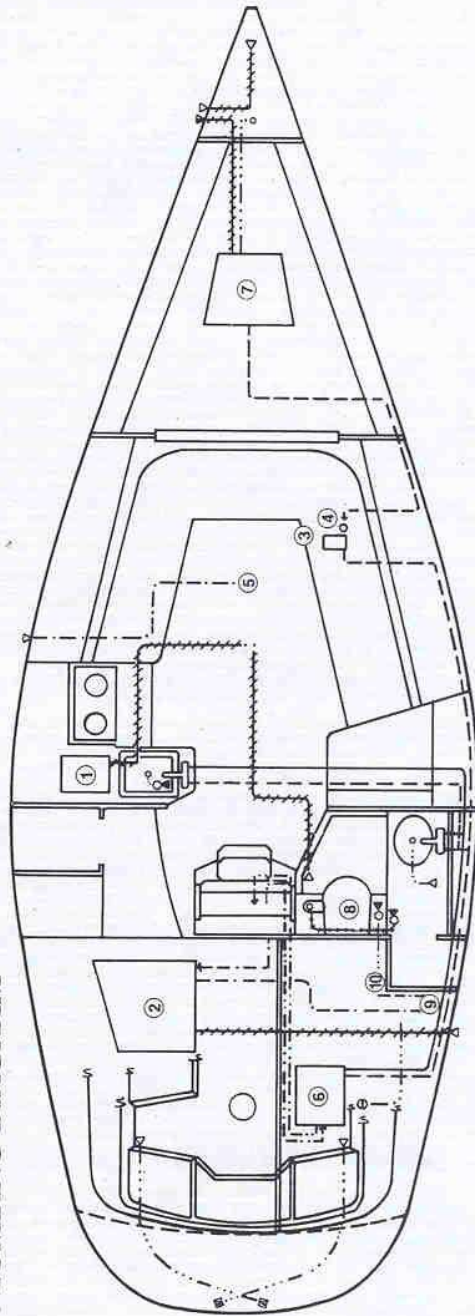


HUNTER 28.5

PLUMBING DIAGRAM



LEGEND

- 1. ICE BOX
- 2. HOLDING TANK
- 3. PRESSURIZED WATER PUMP
- 4. WATER FILTER
- 5. AUTOMATIC BILGE PUMP
- 6. WATER HEATER
- 7. WATER TANK
- 8. HEAD
- 9. MANUAL WASTE PUMP
- 10. VENTED LOOP

SYMBOLS

- POLYBUTYLENE TUBE (HOT)
- - - POLYBUTYLENE TUBE (COLD)
- 1" SHIELDVAC HOSE
- · · 1 1/4" SHIELDVAC HOSE
- · · · 1 1/2" SHIELDVAC HOSE
- · · · · 3/4" SHIELDVAC HOSE
- · · · · · 3/4" BLACK WATER HOSE
- · · · · · · 1 1/2" SHIELDVAC HOSE
- △ PLASTIC THRU-HULL
- ▲ BRONZE THRU-HULL
- GATE VALVE
- ⊗ WASTE DECK PLATE
- △ VENT
- WATER FILL NECK PLATE
- ⊗ THRU-HULL SCUPPERS
- · · · · 5/8" SHIELDVAC HOSE