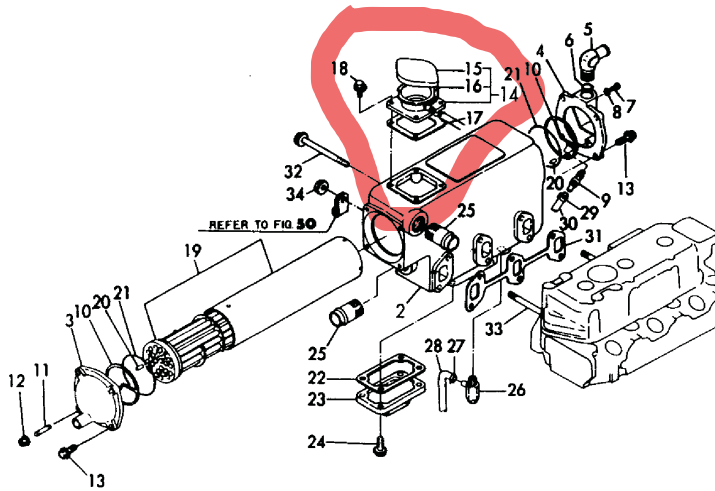


Fig.35. COOLING FRESH WATER COOLER

Fig.35 清水クーラ  
COOLING FRESH WATER COOLER



OCF10-G50602 35. COOLING FRESH WATER COOLER

(A)=3GM30  
(B)=3GM30VE  
(C)=3GM30B

(D)=3GM30C  
(E)=3GM30F  
(F)=3GM30FVE

REF.	LEV.	PARTS NO.	DESCRIPTION	Q'TY						I	R	
				(A)	(B)	(C)	(D)	(E)	(F)			
1	1	728390-44500	EXCHANGER ASSY, HEAT							1		
I 1-1	1	128390-44900	EXCHANGER ASSY, HEAT							1	1	N
				(E=E11046)								
2	2	128390-44010	TANK, HEAT EXCHANGER							1	1	
3	2	128695-44050	COVER, SIDE							1	1	
4	2	128690-44060	COVER, OUTLET							1	1	
5	2	128690-49310	ELBOW							1	1	
6	2	24311-000160	O-RING 1A P-16.0							1	1	
7	2	26554-050102	SCREW M 5X 10							1	1	
8	2	23414-050000	GASKET 5							1	1	
9	2	128695-44090	COCK PT1/8							1	1	
10	2	128695-44070	GASKET							2	2	
11	2	26216-060182	STUD M 6X 18 PLATED							1	1	
12	2	26366-060002	NUT M 6							1	1	
13	2	26106-060182	BOLT M 6X 18 PLATED							7	7	
14	2	123682-44190	FILLER W/BALL							1	1	
15	3	123682-44210	CAP							1	1	
16	3	123682-44220	CHAIN							1	1	
17	2	123682-44200	GASKET							1		
I 17-1	2	123682-44201	GASKET, (NON-ASB.)							1	1	N
				(E=E11515)								
18	2	26106-060142	BOLT M 6X 14 PLATED							4	4	
19	2	128390-44401	CORE ASSY, COOLER							1	1	
20	2	124790-44470	PIN							2	2	
21	2	24311-000700	O-RING 1A P-70.0							2	2	
22	2	128390-44490	GASKET							1		
I 22-1	2	128390-44491	GASKET, (NON-ASB.)							1	1	N
				(E=E11515)								
23	2	128390-44480	COVER, TANK							1	1	
24	2	26106-080202	BOLT M 8X 20 PLATED							4	4	
25	2	124160-49480	JOINT, PIPE							2	2	
26	2	120130-49350	COCK 1/4							1	1	
27	1	124460-77680	RETAINER							1	1	
28	1	23061-070300	PIPE 7X 300							1	1	
29	1	124722-59050	CLAMP 9							1		
I 29-1	1	124460-77680	RETAINER							1	1	N
				(E=E13317)								
30	1	23061-070300	PIPE 7X 300							1	1	
31	1	121450-13250	GASKET, EXH.MANIFOLD							1		
I 31-1	1	121450-13251	GASKET, (NON-ASB.)							1	1	N
				(E=E11515)								
32	1	26106-080902	BOLT M 8X 90 PLATED							4	4	
33	1	26216-080902	STUD M 8X 90 PLATED							2	2	
34	1	26366-080002	NUT M 8							2	2	