

LOA = 12.24 m

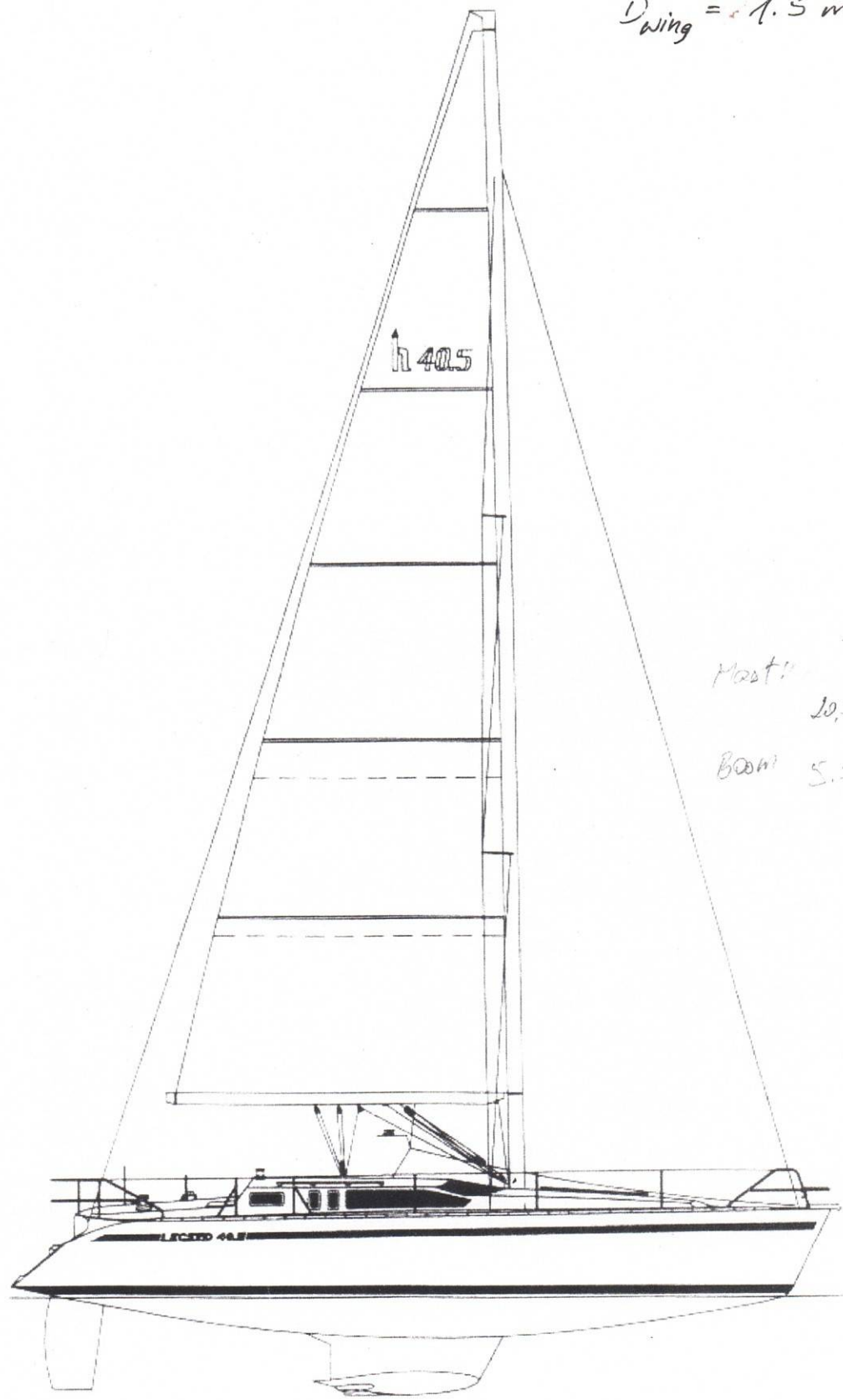
LWL = 10.77 m

Bmax = 4.09 m

D_{wing} = 1.5 m

HUNTER

L 405 SAIL PLAN L 40-A-2619



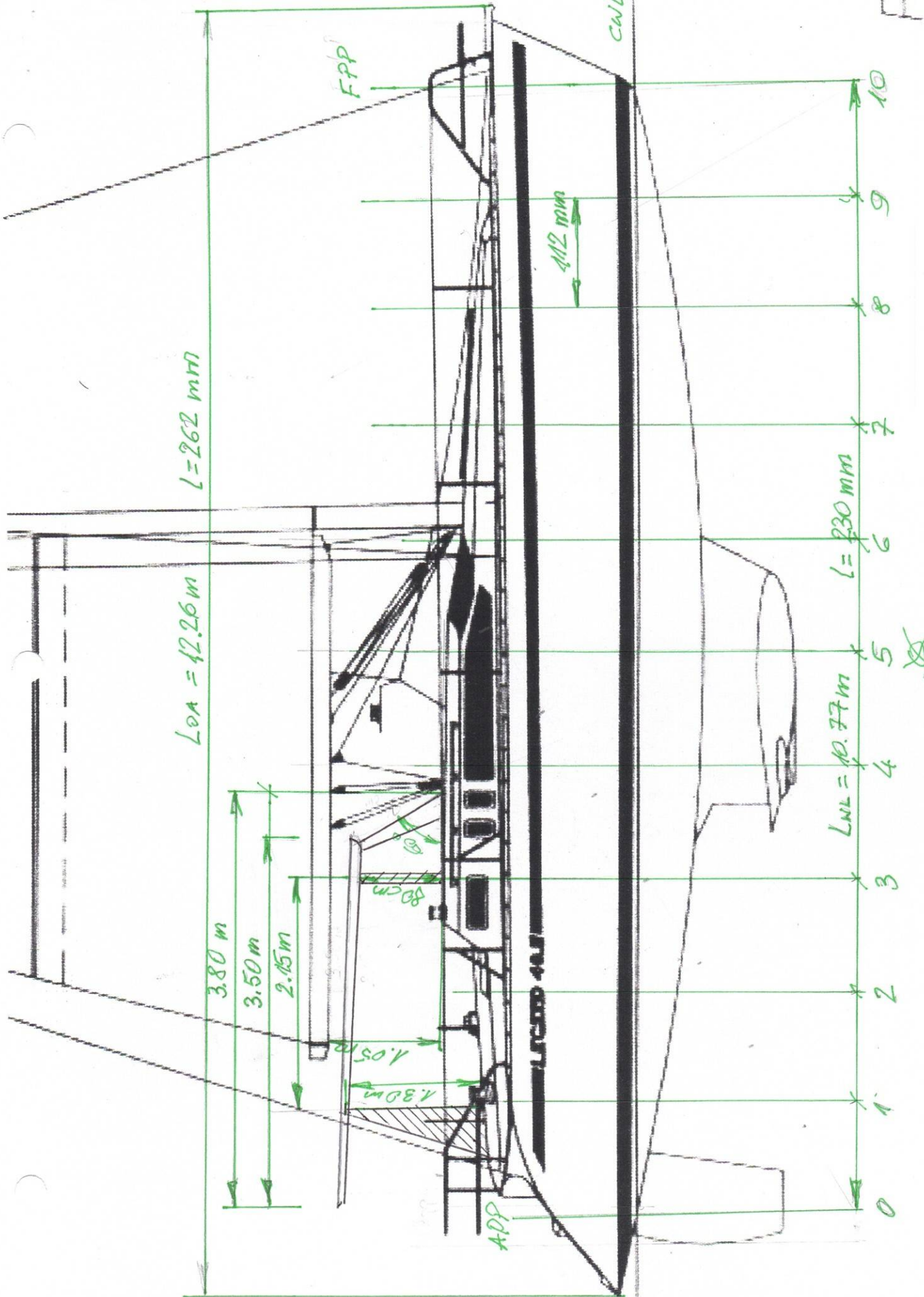
3.08

Mast:

10.5 cm = 63.3° = 19

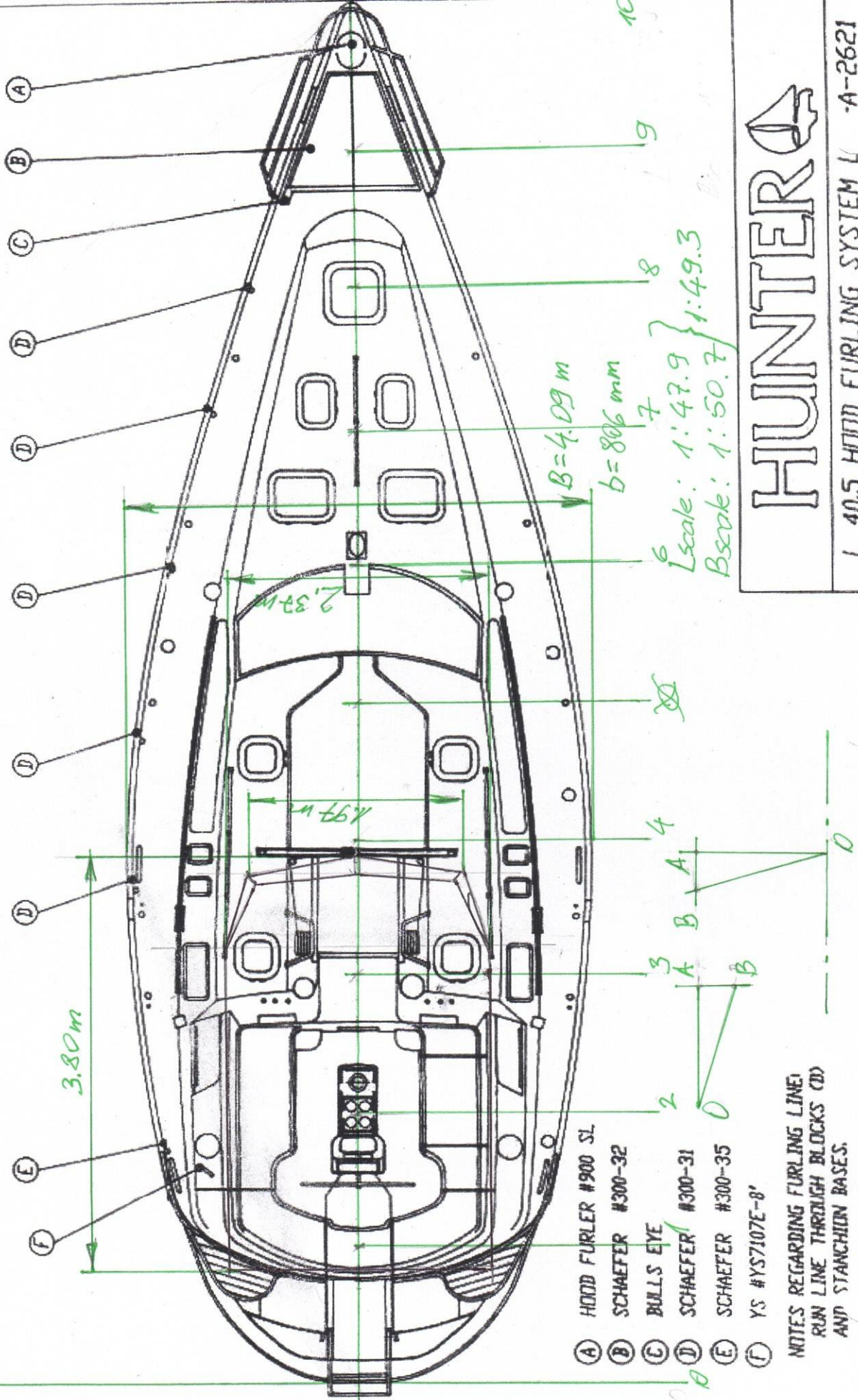
Boom

5.5 cm = 20.9° = 6.8



$l = 256 \text{ mm}$

$LoA = 12.26 \text{ m}$



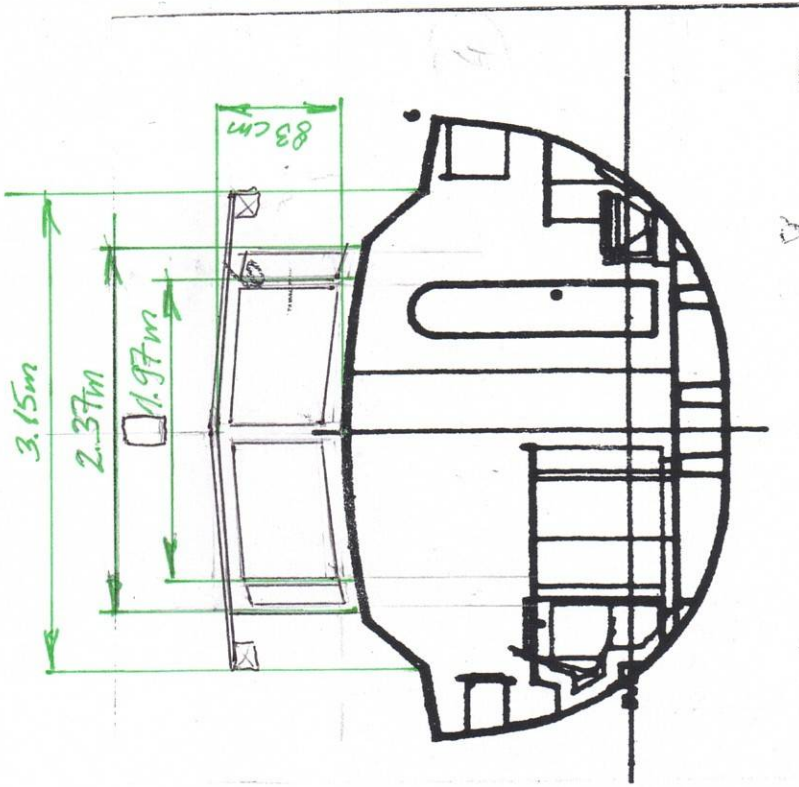
- (A) HOOD FURLER #900 SL
- (B) SCHAEFER #300-32
- (C) BULLS EYE
- (D) SCHAEFER #300-31
- (E) SCHAEFER #300-35
- (F) YS #YS7107E-8'

NOTES REGARDING FURLING LINE:
RUN LINE THROUGH BLOCKS (D)
AND STANCHION BASES.

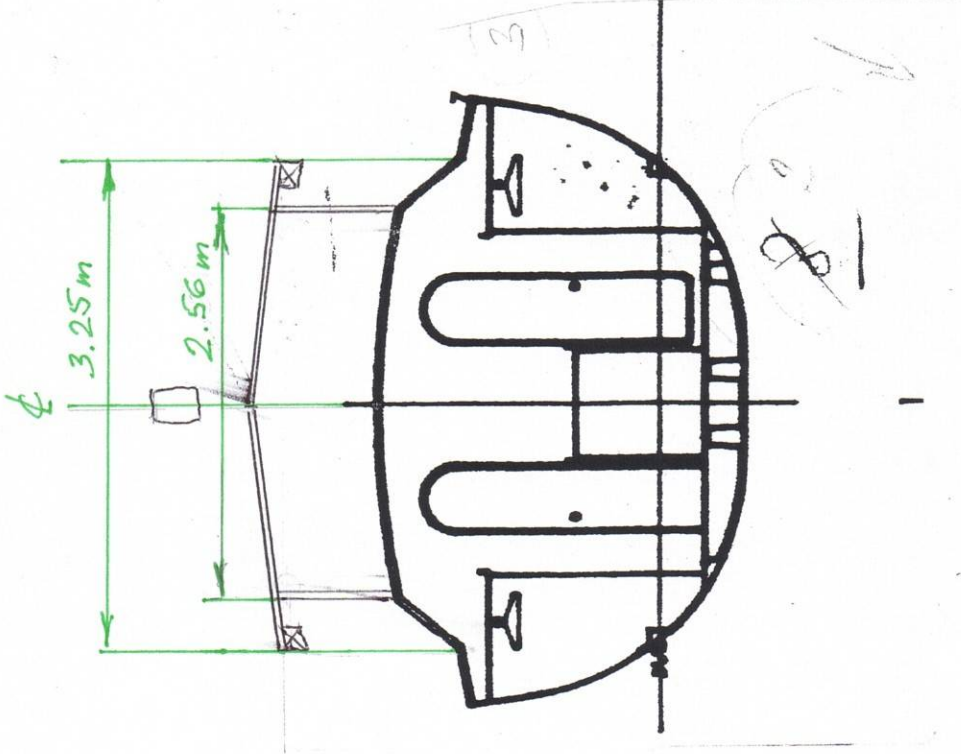
HUNTER

L 40.5 HOOD FURLING SYSTEM L -A-2621

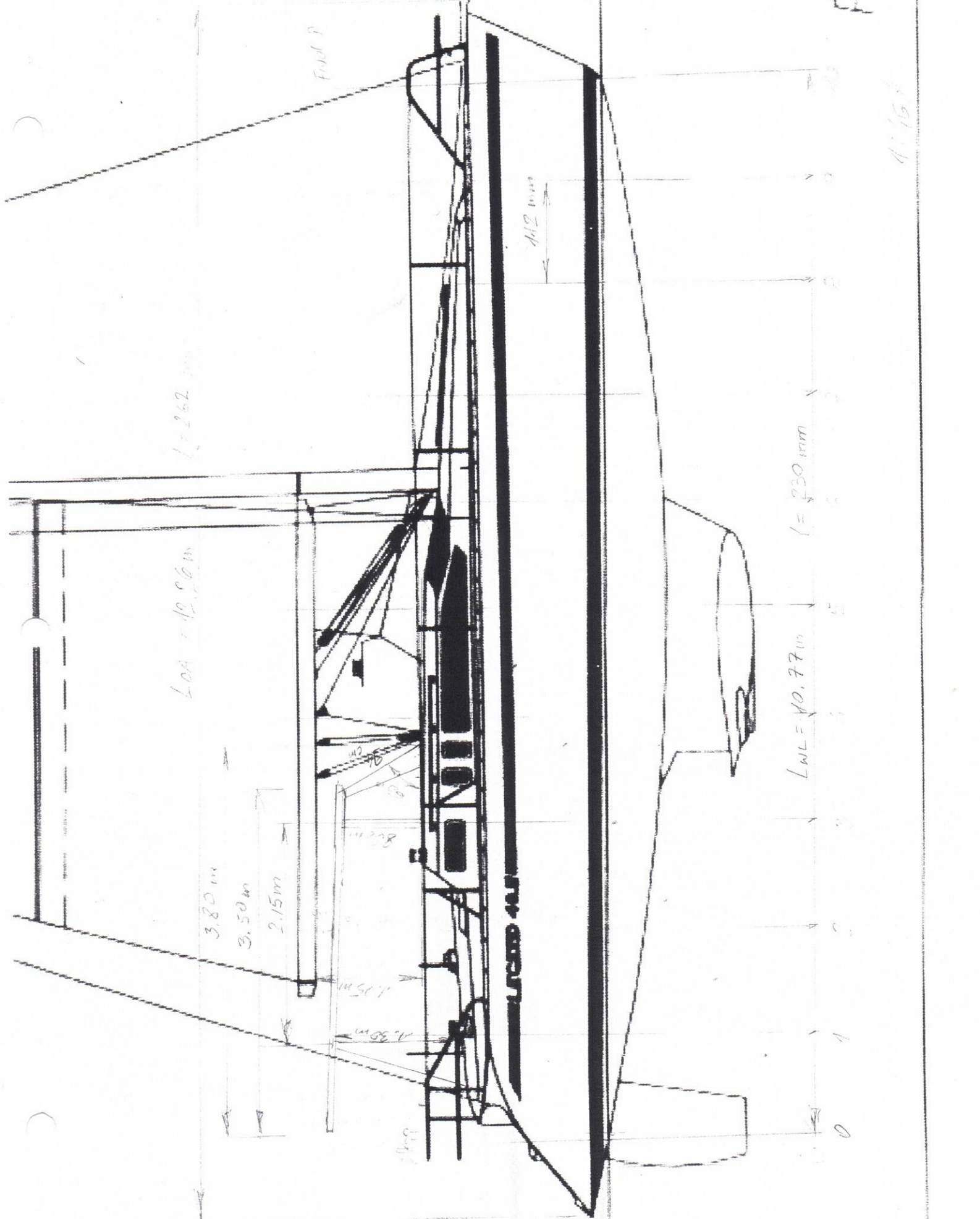
Frame # 4

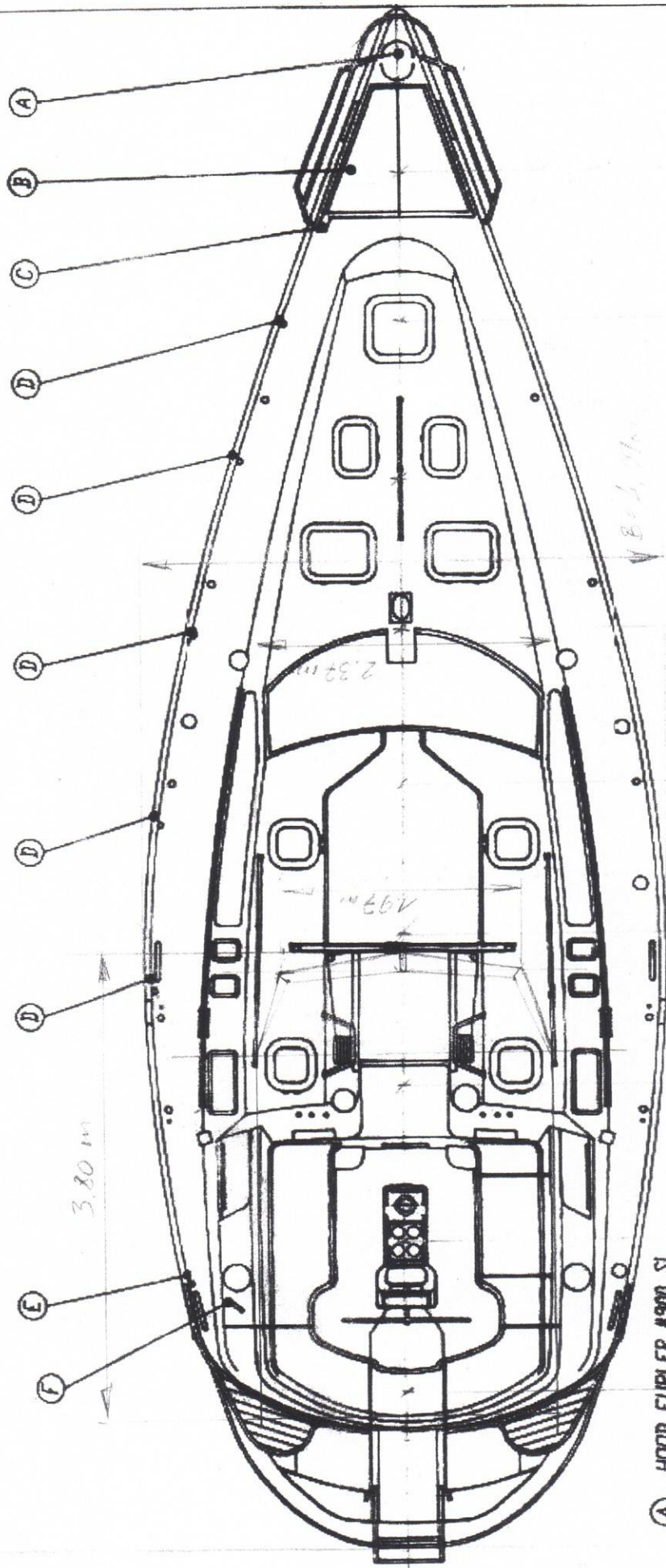


Frame # 3



Scale: 1:49.3





- (A) HOOD FURLER #900 SL
- (B) SCHAEFER #300-32
- (C) BALLS EYE
- (D) SCHAEFER #300-31
- (E) SCHAEFER #300-35
- (F) YS #YS7107E-8'

NOTES REGARDING FURLING LINE:
 RUN LINE THROUGH BLOCKS (D)
 AND STANCHION BASES.

HUNTER

L 40.5 HOOD FURLING SYSTEM L -A-2621

1.60 m
 9
 1.60 m
 9
 1.60 m

7

6

5

A 4

3

2

0

0

1.60 m

1.60 m

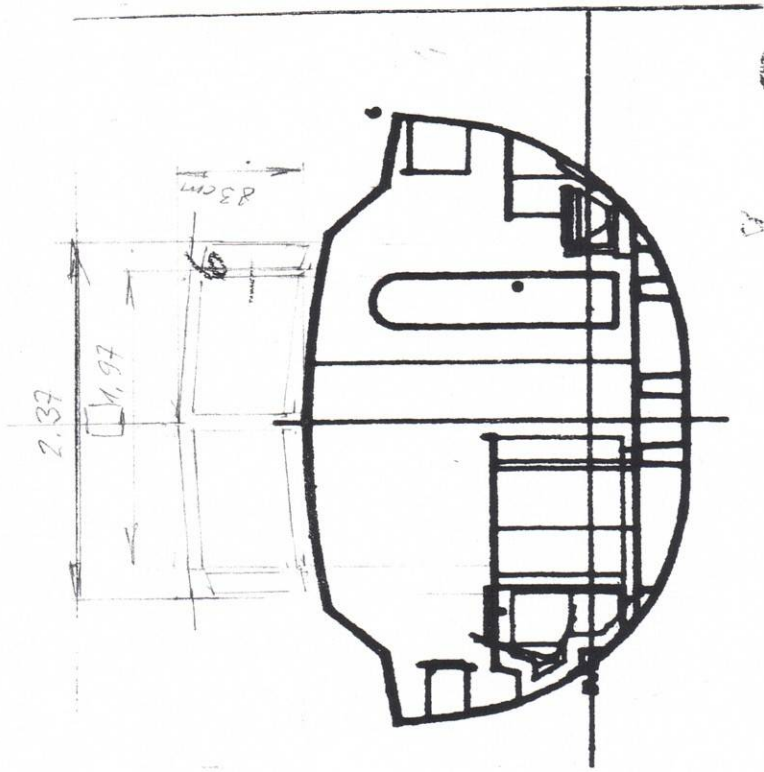
3.80 m

2.39 m

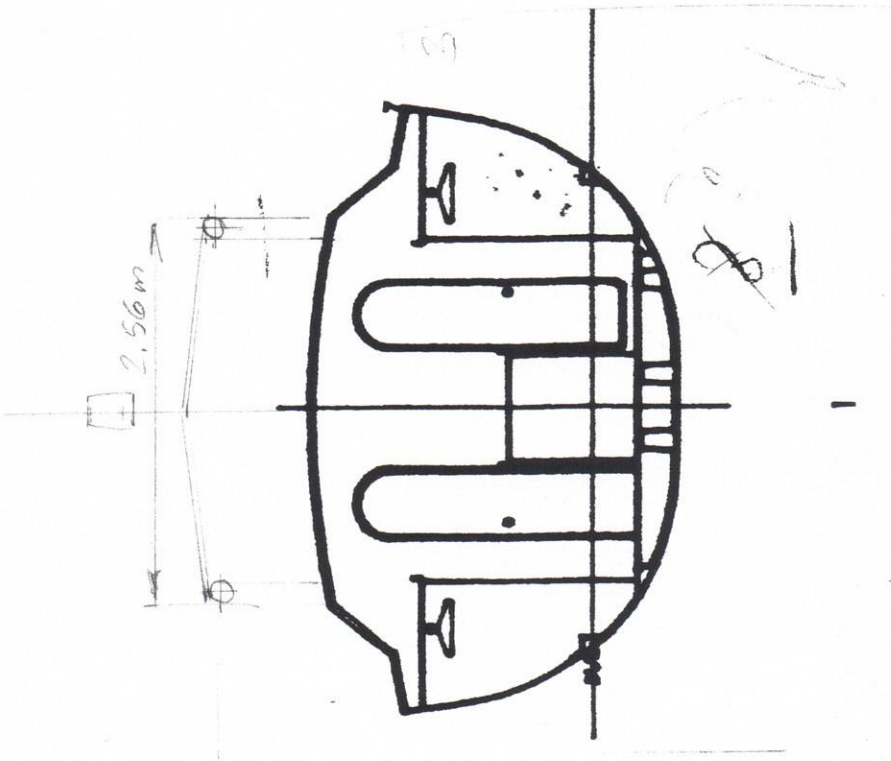
1.60 m

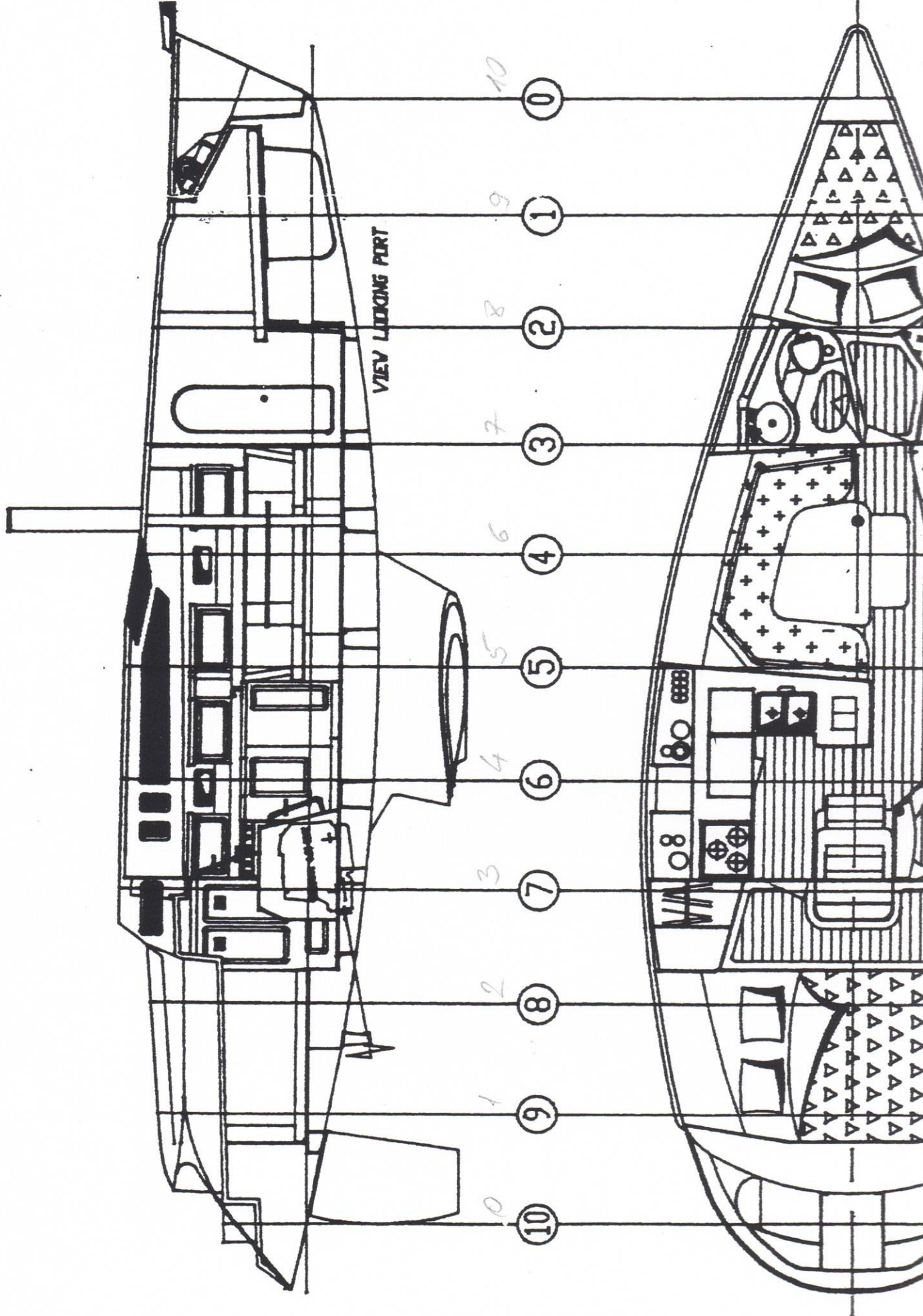
1.60 m

Frame #4



Frame #3





VIEW LOOKING PORT

- 0
- 1
- 2
- 3
- 4
- 5
- 6
- 7
- 8
- 9
- 10