

SailboatData.Com

HOME
FOR SALE
FORUM

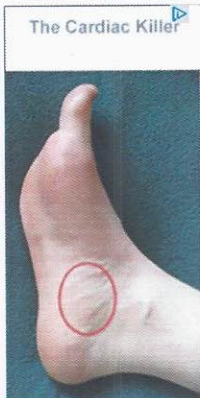
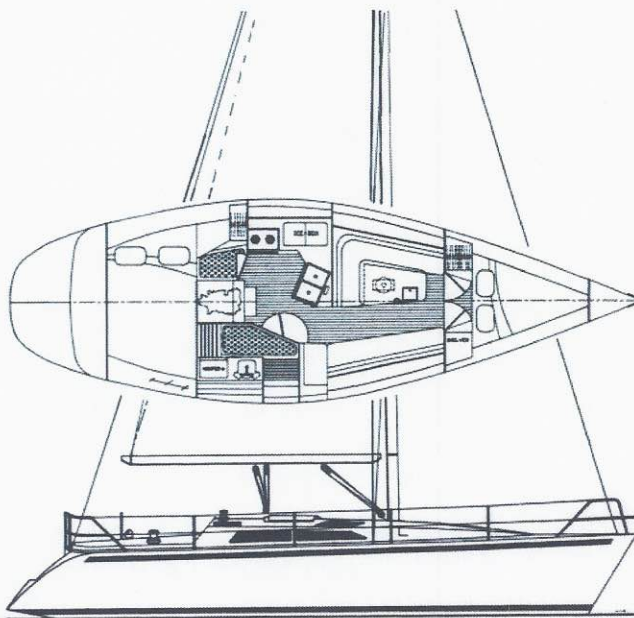
SEARCH BY BUILDER
ADVERTISE
SAILBOAT CLASS/OWNER LINKS

SEARCH BY DESIGNER
Using a page to SELL YOUR BOAT
SITE MAP

ENTIRE SITE SEARCH
LEGAL
ABOUT US

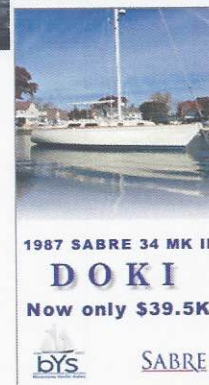
SEARCH HELP
NEW SEARCH
CONTACT

HUNTER 35.5 LEGEND



The Cardiac Killer
4 Stages to a Heart Attack

➔ 4 Signs



MAURI PRO largest LEWMAR store
YOUR DIRECT ACCESS TO SAILING SOLUTIONS FREE WORLDWIDE SHIPPING*

PYI MAX PROP
AUTOMATIC FEATHERING PROPELLERS
LOW DRAG AUTOMATIC FEATHERING PROPELLER

bys Bluenose Yacht Sales
SELECT USED MANY NEW BRANDS
Jeanneau, Salona, HH Cats, S&S 30, CNB, Grand Soleil, Italia, Catana, HH42

Hull Type: Wing Keel	Rig Type: Fractional Sloop
LOA: 35.58' / 10.84m	LWL: 29.75' / 9.07m
Beam: 11.75' / 3.58m	Listed SA: 569 ft ² / 52.86 m ²
Draft (max.): 4.50' / 1.37m	Draft (min.):
Displacement: 13000 lbs./ 5897 kgs.	Ballast: 4800 lbs. / 2177 kgs.
Sail Area/Disp.1: 16.53	Bal./Disp.: 36.92%
	Disp./Len.: 220.41
Designer:	
Builder: Hunter Marine (USA)	
Construction: FG	Bal. type: Lead
First Built: 1989	# Built:
	Last Built: 1995
AUXILIARY POWER (orig. equip.)	
Make: Yanmar	Model: 3GM
Type: Diesel	HP: 27
TANKS	
Water: 64 gals. / 242 ltrs.	Fuel: 22 gals. / 83 ltrs.
RIG AND SAIL PARTICULARS KEY	
I(I/G): 42.00' / 12.80m	J: 12.16' / 3.71m
P: 44.08' / 13.44m	E: 14.25' / 4.34m