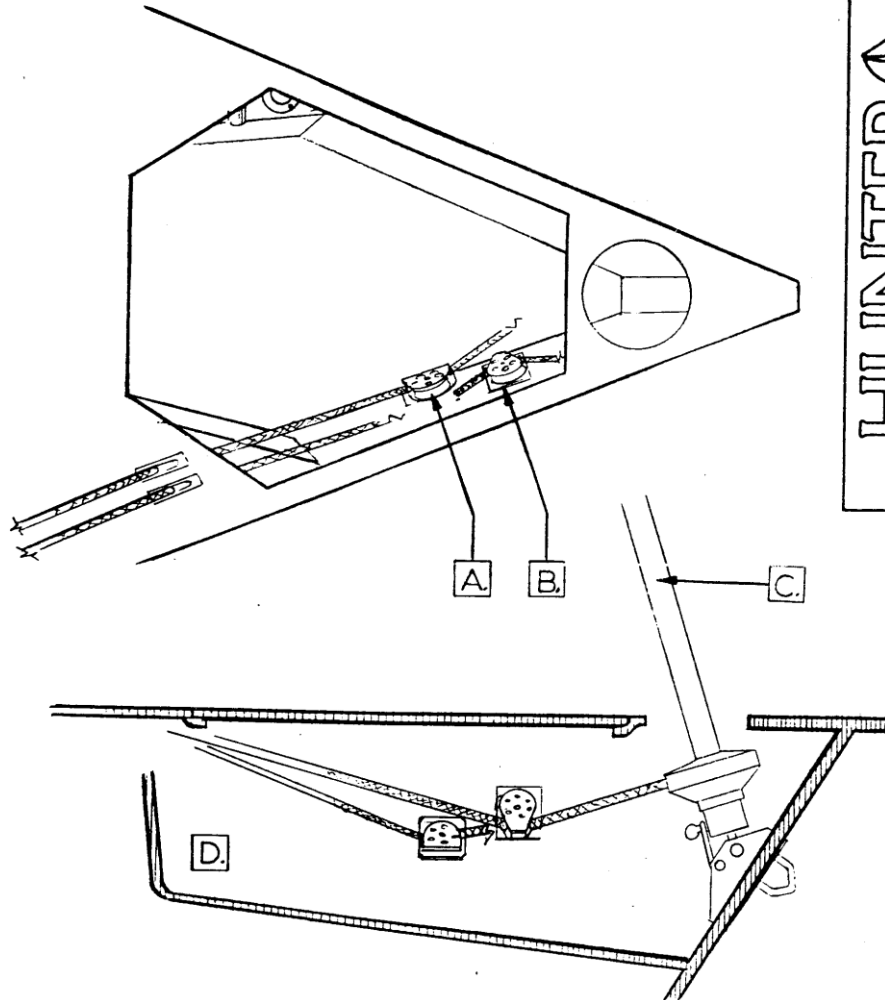


HUNTER

H35.5A2617

Furling



- A. Fairlead block Schaefer #300-32
- B. Cheek blk. Sch. #501-39
- C. Furling
- D. Anchor well