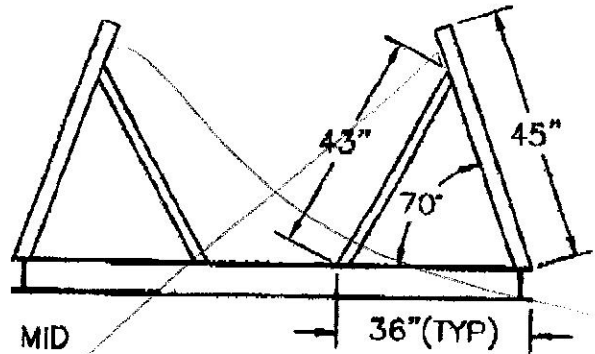
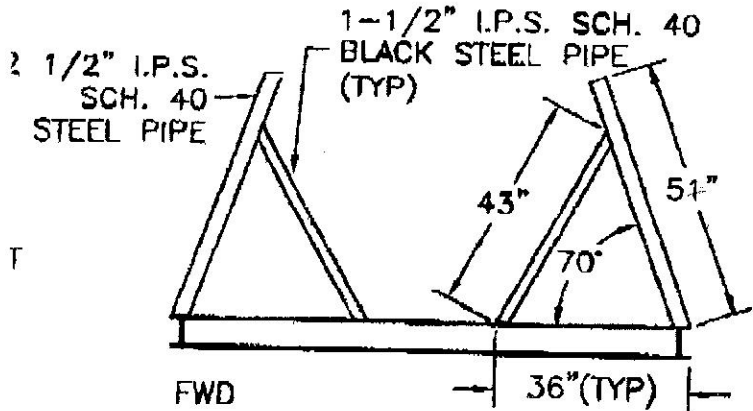
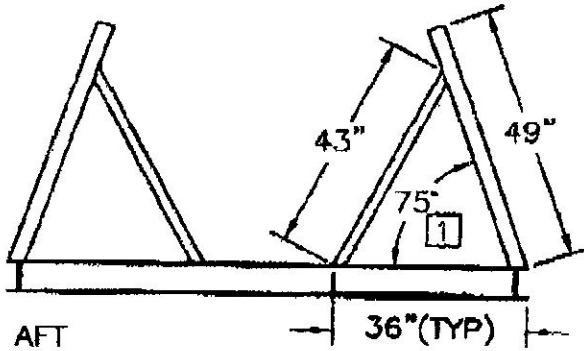


NO	REVISIONS	DATE	BY
1	REVISED ANGLE, WAS 70°	06/07/01	C.D.
2	TO SUIT SHIPPING REQUIREMENTS.	10/09/03	G.B.
3	CHANGED CROSS BEAMS FOR PRODUCTION	8/24/04	C.S.
4	ADD CENTER UPRIGHT. ADD 3" TO BOTH ENDS OF THE KEEL BOX	5/30/06	



INFORMATION
 DATA CONTAINED
 HEREIN IS UNCLASSIFIED
 DATE 11/29/00 BY 60322 UCBAW/STP
 FOR ANY REPRODUCTION
 OF THIS INFORMATION
 CONTACT THE NATIONAL ARCHIVE
 AT COLLEGE PARK, MARYLAND
 20740

UNLESS OTHERWISE SPECIFIED
 DIMENSIONS ARE IN INCHES

GENERAL TOLERANCES

ANGLES : ±0.5°
 X.X : ±0.1
 X.XX : ±0.01
 X.XXX : ±0.005

SURFACE FINISH: 63

DO NOT SCALE DRAWING

Catalina Yachts 7200 BRYAN DIARY RD.
 LARGO, FL 33777
 (727) 544-8681

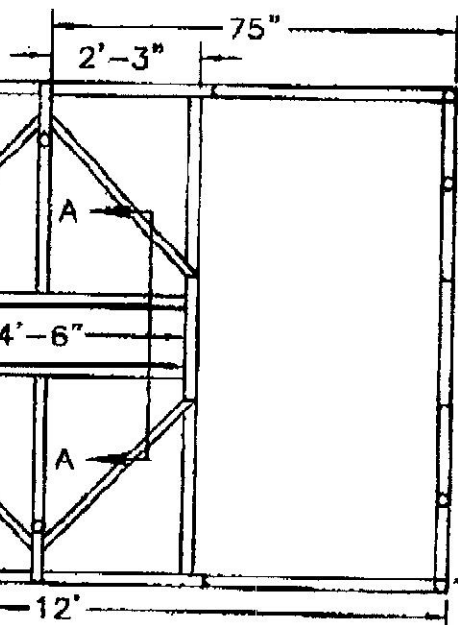
SCALE: N.T.S.	APPROVED BY:	DRAWN BY G.T.B.
DATE: 11/29/00		REVISED 5/30/06
310-CRADLE, FIN KEEL		
BOAT: CATALINA 310	DRAWING NUMBER 91050-4	

2 2x2x1/4 Angle 20' piece } 42'
 1 6" Channel 20' piece } 106'
 2 9' + Pipe 2 1/2" SCH 40 } 37' 00"

C6X13#
STEEL CHANNEL
TYP. UNLESS NOTED

2"X6"X1/4"
STEEL TUBE
(2X)

C12X25#
STEEL
CHANNEL

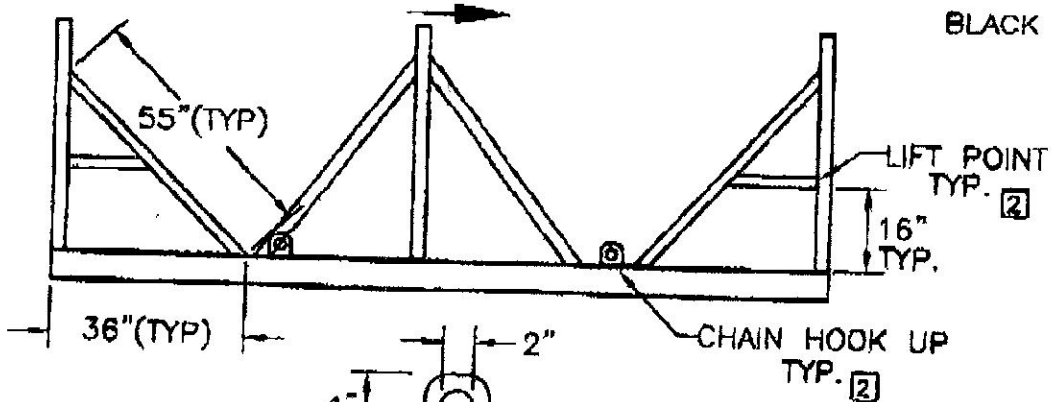


8'-2" [2]
INSIDE DIM.

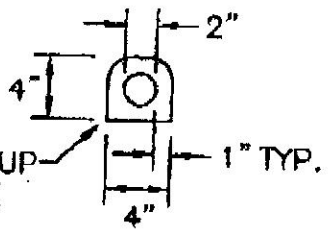


FWD.

2 1/2" I.P.S.
SCH. 40-
BLACK STEEL PIPE



CHAIN HOOK UP
3/4" THICK
4 TOTAL



NOTE:

LENGTHS ARE 12" SHORT OF HULL TO
ALLOW FOR SCREWJACKS, PADS, ECT.
FRAME- 6" X 13# CHANNEL
UPRIGHTS-2 1/2" I.P.S. SCH. 40 PIPE.
SUPPORTS- 2" I.P.S. SCH. 40 PIPE.

PROPRIETARY INFORMATION
 THE DESIGNS, INFORMATION, AND DATA CONTAINED
 HEREIN ARE PROPRIETARY AND ARE SUBMITTED IN
 CONFIDENCE, AND SHALL NOT BE DISCLOSED, USED,
 OR DUPLICATED, IN WHOLE OR IN PART, FOR ANY
 PURPOSES WHATSOEVER, WITHOUT THE PRIOR WRIT-
 TEN PERMISSION OF CATALINA YACHTS, 21200
 VICTORY BLVD. WOODLAND HILLS, CALIFORNIA 91367.
 THIS LEGEND SHALL BE MARKED ON ANY REPRO-
 DUCATIONS HEREOF IN WHOLE OR IN PART. RECEIPT
 OF THIS DOCUMENT SHALL BE DEEMED TO BE AN
 ACCEPTANCE OF THE CONDITIONS SPECIFIED HEREIN.

U

[