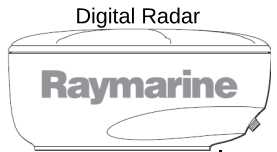
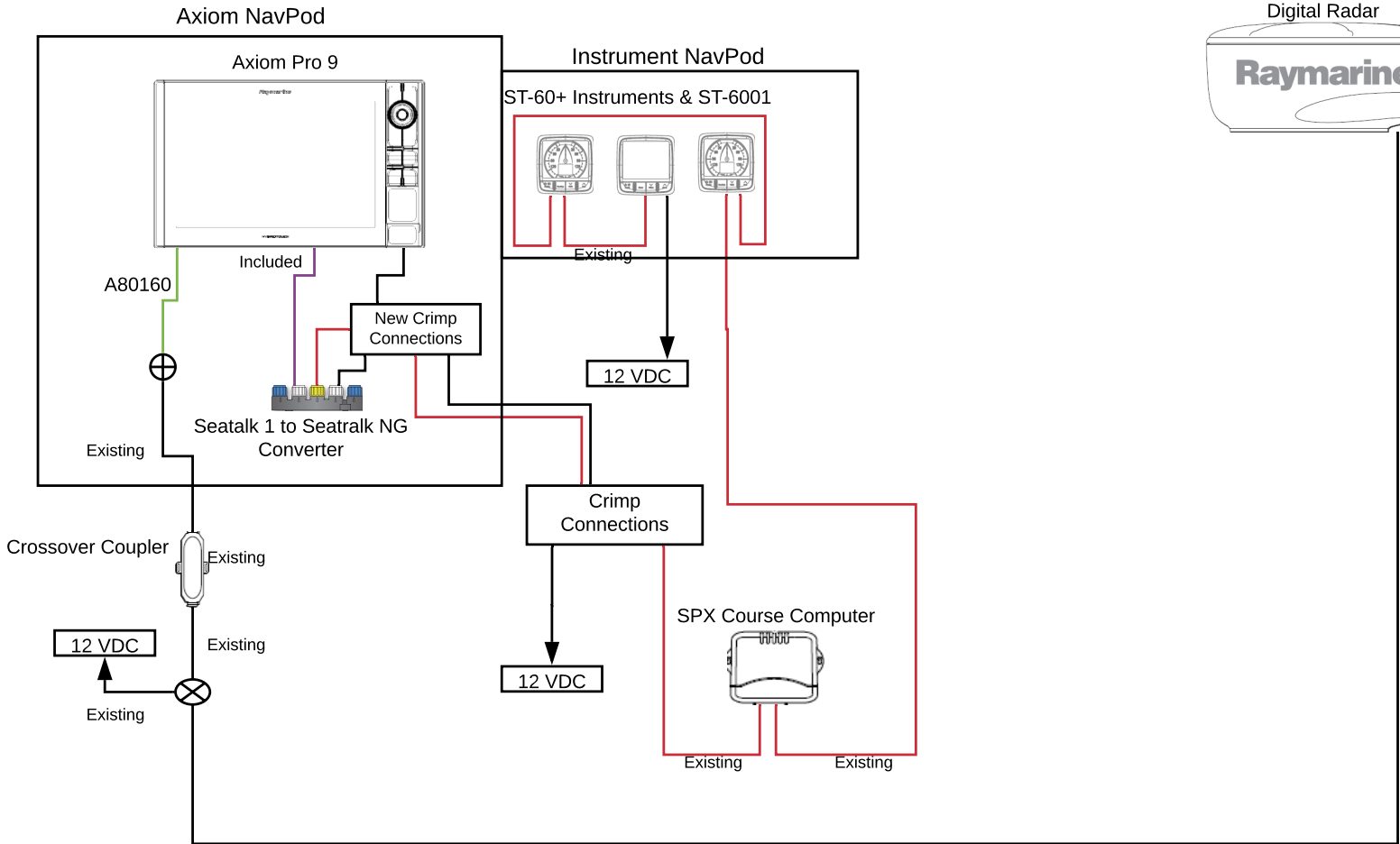




A80160

**SR100 Sirius Weather Receiver cannot be used
Therefore, the 2nd Ethernet connection is not required

**No connection to PC
Therefore, E85001 interface is not required



New Crimp Connections in Axiom NavPod

