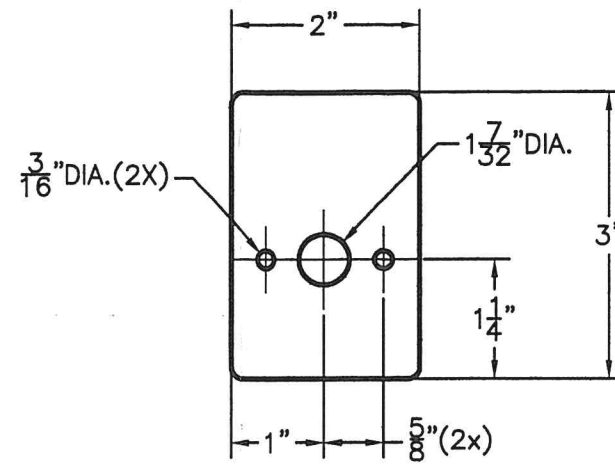
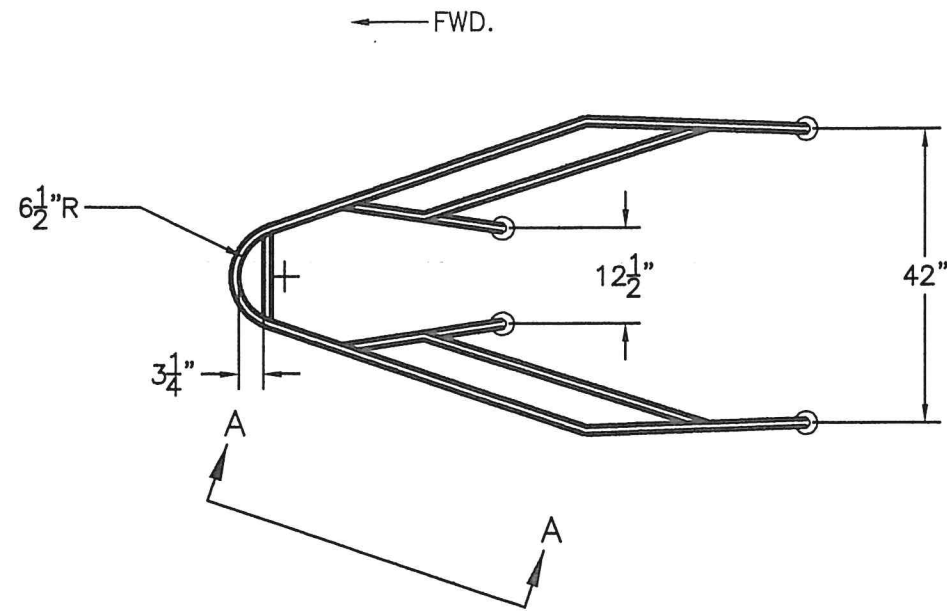
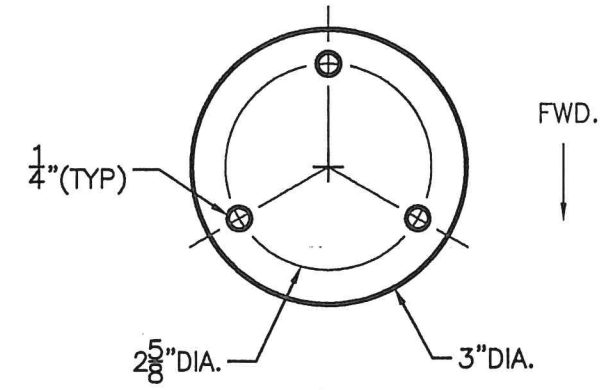


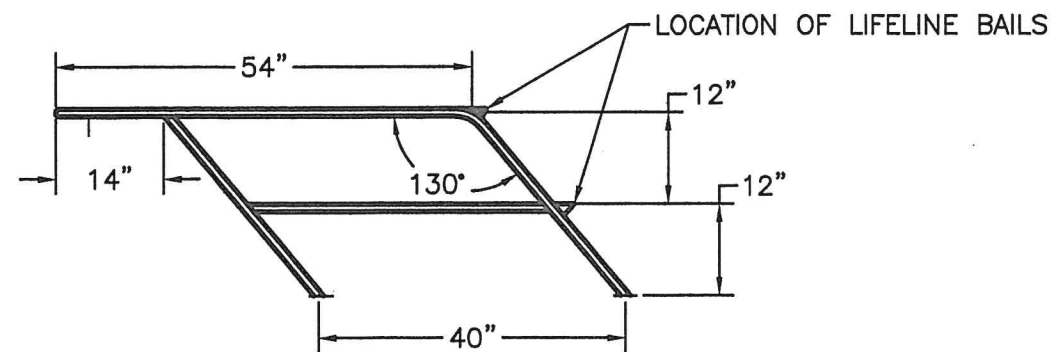
1 REVISED FEET, ALL FOUR THE SAME 04/17/02



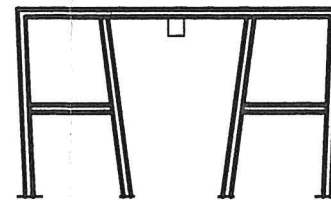
LIGHT BRACKET DETAIL
NOT TO SCALE



DETAIL FOOT PAD
NOT TO SCALE



VIEW A-A



NOTE:
MATERIAL- 1" DIA. STAINLESS STEEL TUBE
3/32" THK. STAINLESS STEEL PLATE
BREAK ALL EDGES AND POLISH ALL SURFACES

PROPRIETARY INFORMATION
THE DESIGNS, INFORMATION, AND DATA CONTAINED
HEREIN ARE PROPRIETARY AND ARE SUBMITTED IN
CONFIDENCE, AND SHALL NOT BE DISCLOSED, USED,
OR DUPLICATED, IN WHOLE OR IN PART, FOR ANY
PURPOSES WHATSOEVER, WITHOUT THE PRIOR WRIT-
TEN PERMISSION OF CATALINA YACHTS, 21200
VICTORY BLVD. WOODLAND HILLS, CALIFORNIA 91367.
THIS LEGEND SHALL BE MARKED ON ANY REPRO-
DUCTIONS HEREOF IN WHOLE OR IN PART. RECEIPT
OF THIS DOCUMENT SHALL BE DEEMED TO BE AN
ACCEPTANCE OF THE CONDITIONS SPECIFIED HEREIN.

UNLESS OTHERWISE SPECIFIED
DIMENSIONS ARE IN INCHES
GENERAL TOLERANCES
ANGLES : ±0.5°
X.X : ±0.1
X.XX : ±0.01
X.XXX : ±0.005
SURFACE FINISH: 63
DO NOT SCALE DRAWING

<i>Catalina Yachts</i>		7200 BRYAN DIARY RD. LARGO, FL. 33777 (727) 544-6681	
TITLE: BOW RAIL			
BOAT: CATALINA 310	DRAWING NO: 310-29055-1		
DESIGNED BY:	CHECKED BY:	SCALE: 1" = 1'0"	SIZE: D
DRAWN BY: C.D.	APPROVED BY:	DATE: 11/2/01	SHEET: 1/1