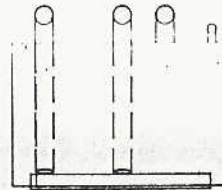
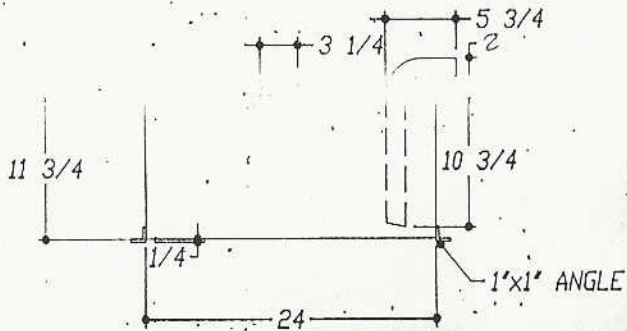


NOTES:

1. CAPACITY: 20 GALLONS
2. QUANTITY: 1 PER BOAT
3. TO BE MADE OF 6061-T6 OR 5456 ALUMINUM
4. BUILD AND BAFFEL TANK TO U.S.C.G. REGULATIONS
5. KEEP INLETS AND OUTLETS BELOW 3' FROM TOP OF TANK



				PROPRIETARY INFORMATION: This document discloses information for which HUNTER MARINE CORP. has proprietary rights.				
		1110B3	11-30-91	DATE	<h1 style="text-align: center;">HUNTER</h1>			
		REVISED HT	10-29-91	DO NOT SCALE				
		1/4" MT'G PLATE	11-30-91	REVISIONS	TOLERANCES UNLESS OTHERWISE SPECIFIED: FRACTIONAL ± N/A 2 PLACE DECIMAL ± N/A 3 PLACE DECIMAL ± N/A 4 PLACE DECIMAL ± N/A ANGULAR ± N/A			
		MOVED INLET & VENT	10-29-91	SYMBOL	BREAK ALL SHARP EDGES, DEBURR FINISH N/A			
					PAPER SIZE A	DRAWN BY LDM	DATE 3-19-91	SCALE 3/4"=1'0"
					PLOT SCALE .0625=1		HUNTER PART NO. N/A DRAWING NO. H33A1913	
				<h2 style="margin: 0;">H33.5 WASTE TANK</h2>				